

PROPRIETARY AND CONFIDENTIAL

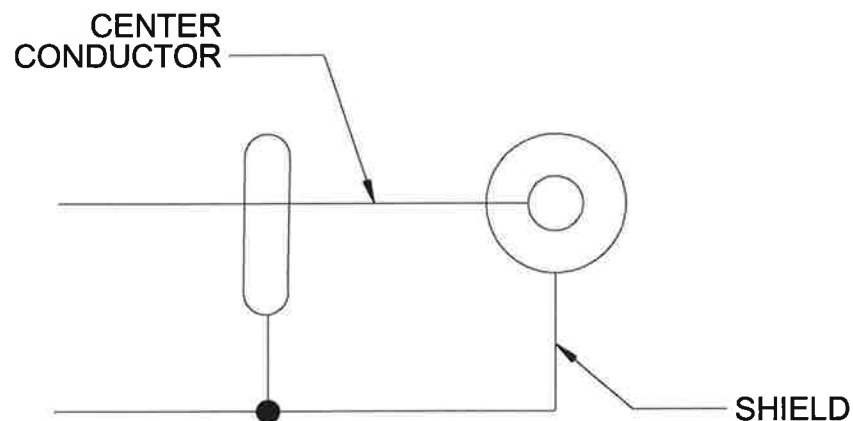
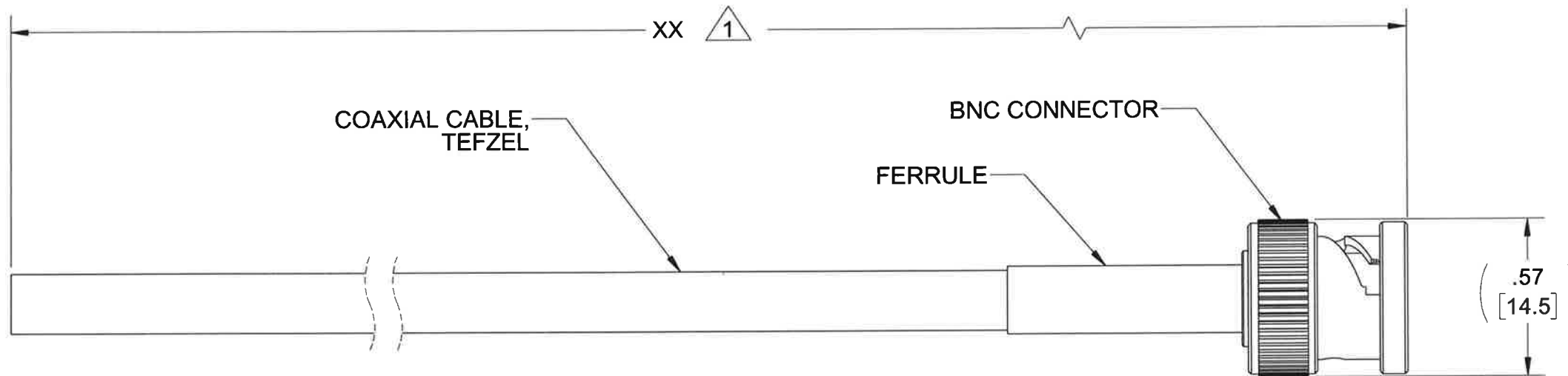
THE INFORMATION CONTAINED IN THIS DRAWING IS THE SOLE PROPERTY OF DYTRAN INSTRUMENTS INC. ANY REPRODUCTION IN PART OR AS A WHOLE WITHOUT THE WRITTEN PERMISSION OF DYTRAN INSTRUMENTS INC. IS PROHIBITED

REVISIONS

REV.	ECN	DESCRIPTION	BY/DATE	CHK	APPR
A	12786	REDRAWN ON SOLIDWORKS	LA 07/15/16	<i>sp</i>	AS

1 CABLE LENGTH TOLERANCE

ENGLISH		[METRIC]	
≤1FT	+1/ -0 IN	≤0.3m	+25mm -0mm
>1 FT - 5 FT	+2/ -0 IN	.0.3 m-1.5m	+50mm -0mm
> 5 FT - 10 FT	+4/ -0 IN	>1.5m-3m	+100mm -0mm
>10 FT - 25FT	+6 / -0 IN	>3m-7.5m	+150mm -0mm
>25 FT	+5% / -0%	>7.5m	+5%/-0%



SCHMATIC

2 CABLE, COAXIAL, RG58A/U (M17/20-RG58)

WIRE	20 AWG 19/33 TINNED COPPER CONDUCTOR
WIRE INSULATION	POLYETHYLENE $\phi$ .116 ±.004
SHIELD	36 AWG TINNED COPPER BRAIDED SHIELD 95% COVERAGE
JACKET	TEFZEL
DIAMETER	.195 ±.007
TEMPERATURE	-40° C (-40° F) TO +85° C (185° F)

UNLESS OTHERWISE SPECIFIED:  
 INTERPRET DIM & TOL PER  
 ASME Y14.5M - 1994.  
 REMOVE BURRS.  
 COUNTERSINK INTERNAL THDS  
 90° TO MAJOR DIA.  
 CHAM EXT THDS 45° TO MINOR DIA.  
 THD LENGTHS AND DEPTHS ARE FOR  
 MIN FULL THDS.  
 DIMENSIONS APPLY AFTER FINISHING.

ALL MACHINED SURFACES.  
 TOTAL RUNOUT WITHIN .005.  
 BREAK SHARP EDGES .005 TO .010.  
 MACHINED FILLET RADII .005 TO .015.  
 WELDING SYMBOLS PER AWS A2.4.  
 ABBREVIATIONS PER MIL-STD-12.

DECIMALS	METRIC	ANGLES
.XX ±.03	.X ± 0.8	±1°
.XXX ±.010	.XX ±0.25	

APPROVALS	DATE
ORIG RA	11/19/02
CHK NC	11/19/02
APP NC	11/20/02

DO NOT SCALE DRAWING



TITLE: **OUTLINE/INSTALLATION DRAWING,  
 CABLE ASSY, BNC TO CUTOFF,  
 MODEL 6098A**

SIZE <b>B</b>	CAGE CODE <b>2W033</b>	DWG NO <b>127-6098A</b>	REV <b>A</b>
SCALE: 2:1		SHEET 1 OF 1	

- 2 SEE CABLE SPECIFICATION TABLE.
  - 1 PART NUMBER: 6098AXX (XX DENOTES LENGTH IN FEET).
- NOTES: UNLESS OTHERWISE SPECIFIED