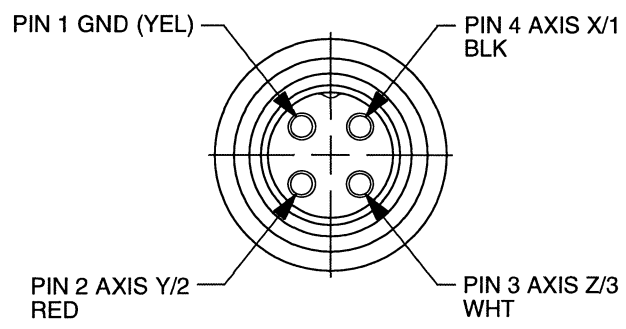
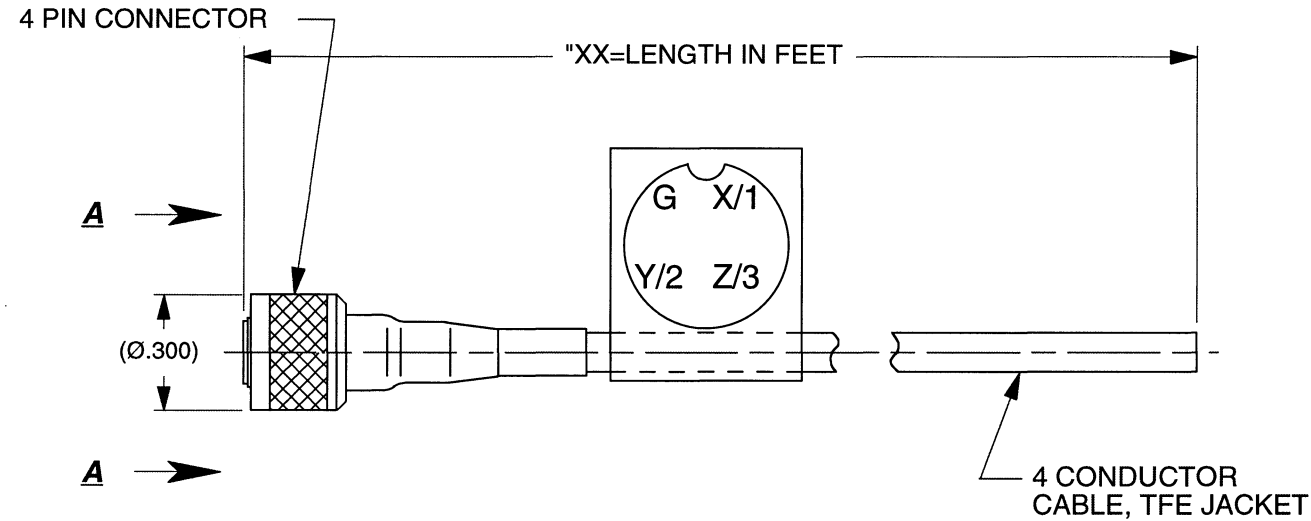


REV	ECN	DESCRIPTION	BY/DATE	CHK	APPR
A	6068	SEE ECN	RLA 6/26/09	<i>[Signature]</i>	<i>[Signature]</i>



VIEW A-A
4X SCALE

		MASTER ONLY IF IN RED		CHATSWORTH, CA.	
SCALE	2X	REV	-	DATE	SEE REV BLK
DATE	11/18/02	PART NO.	127-6812AXX		
DRAWN	R.A.	CHECKED	N.C.		
APPROVED	N.C.	11/18/02	NEXT ASSEMBLY	-	USED ON
				6812AXX	
TITLE					DWG NO.
OUTLINE DRAWING, 4-PIN TO CUTOFF, MODEL 6812AXX					127-6812A
SHEET					1 OF 1