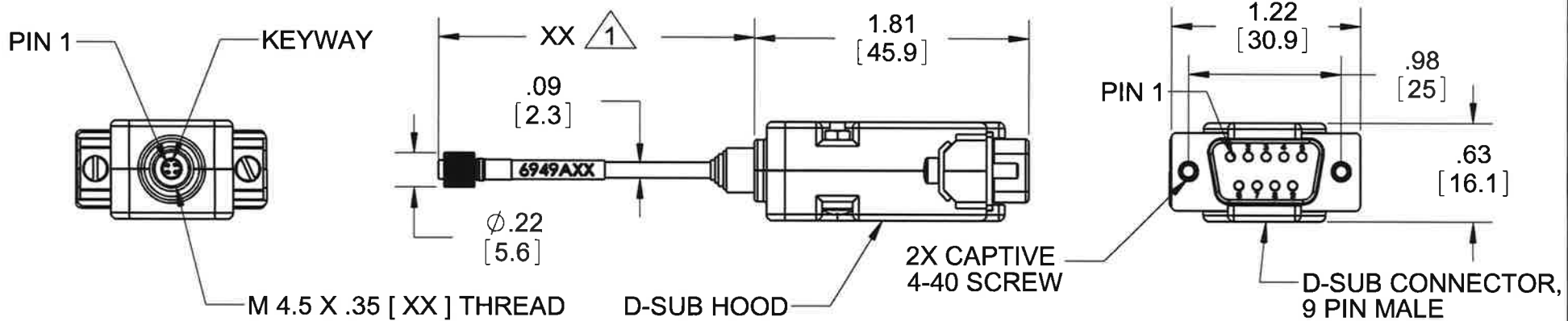


PROPRIETARY AND CONFIDENTIAL

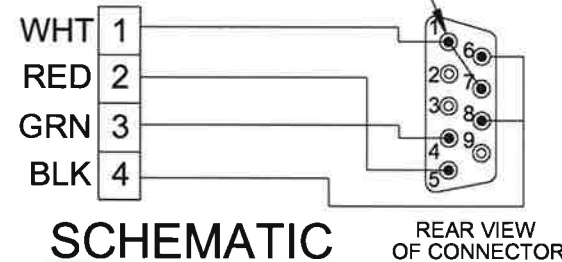
THE INFORMATION CONTAINED IN THIS DRAWING IS THE SOLE PROPERTY OF DYTRAN INSTRUMENTS INC. ANY REPRODUCTION IN PART OR AS A WHOLE WITHOUT THE WRITTEN PERMISSION OF DYTRAN INSTRUMENTS INC. IS PROHIBITED

REVISIONS

REV	ECN	DESCRIPTION	BY/DATE	CHK	APPR
B	11181	SEE ECN	JS 08/07/14	DV	ANS
C	11127	ADDED SCHEMATIC	EC 07/10/14	<i>JS</i>	<i>ANS</i>



ADD JUMPER TO PIN 1 AND PIN7



- 6. JACKET PFA .006 WALL NOMINAL, COLOR WHITE.
- 5. VOLTAGE RATING 250 VOLTS.
- 4. SHIELDING SILVER PLATED COPPER BRAID, 90% MIN COVERAGE.
- 3. 4 CONDUCTOR 32 AWG 7/38 SILVER PLATED COPPER, FEP.
- 2. TEMPERATURE RANGE: -18°F TO +176°F (-27°C TO +80°C).

1 PART NUMBER: (XX DENOTES LENGTH IN FEET).
 NOTES: UNLESS OTHERWISE SPECIFIED

CONTRACT NO.



TITLE:

**OUTLINE/INSTALLATION
DRAWING, CABLE, 6949A**

APPROVALS		DATE
ORIG	RA	11/05/10
CHK	DV	11/15/10
APP	ANS	11/16/10
APP	<i>JS</i>	9/11/14

SIZE	CAGE CODE	DWG. NO.	REV
A	2W033	127-6949A	C
SCALE: NONE	SOLIDWORKS	SHEET 1 OF 1	

USED ON	NEXT ASSY	APPLICATION	THIRD ANGLE PROJECTION USA
UNLESS OTHERWISE SPECIFIED: INTERPRET DIM & TOL PER ASME Y14.5M - 1994. REMOVE BURRS. COUNTERSINK INTERNAL THDS 90° TO MAJOR DIA. CHAM EXT THDS 45° TO MINOR DIA. THD LENGTHS AND DEPTHS ARE FOR MIN FULL THDS. THDS PER MIL-S-7742. DIMENSIONS APPLY AFTER FINISHING.		UNLESS OTHERWISE SPECIFIED: DIMENSIONS ARE IN INCHES. DIMENSIONS IN BRACKETS [] ARE IN MILLIMETERS TOLERANCES ARE: INCHES METRIC ANGLES .XX ± .03 .X ± 0.8 ± 1° .XXX ± 0.10 .XX ± 0.25	ALL MACHINED SURFACES. TOTAL RUNOUT WITHIN .005. BREAK SHARP EDGES .005 TO .010. MACHINED FILLET RADII .005 TO .015. WELDING SYMBOLS PER AWS A2.4. ABBREVIATIONS PER MIL-STD-12.
MATERIAL		DO NOT SCALE DRAWING	
FINISH			