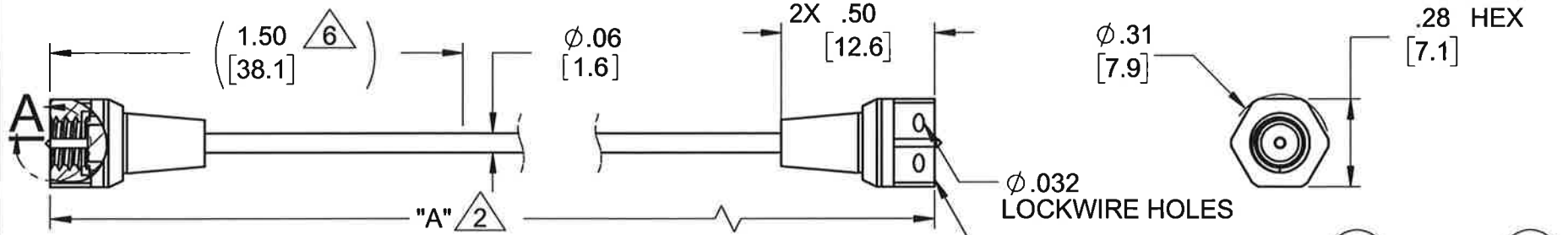


PROPRIETARY AND CONFIDENTIAL

THE INFORMATION CONTAINED IN THIS DRAWING IS THE SOLE PROPERTY OF DYTRAN INSTRUMENTS INC. ANY REPRODUCTION IN PART OR AS A WHOLE WITHOUT THE WRITTEN PERMISSION OF DYTRAN INSTRUMENTS INC. IS PROHIBITED

REVISIONS

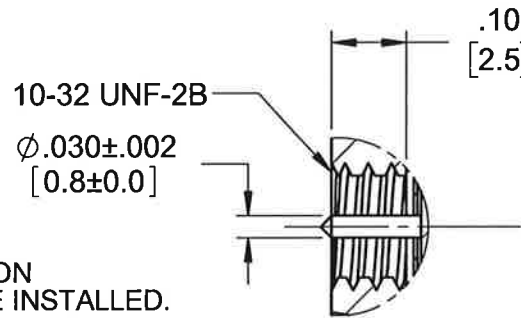
REV	ECN	DESCRIPTION	BY/DATE	CHK	APPR
E	13351	SEE ECN	EM 03/21/17	RA	JN



MATERIALS

JACKET	304L SS
NUT	304L SS
STRAIN RELIEF	304L SS
PIN	304L SS
CABLE INSULATOR	SILICON DIOXIDE
CONNECTOR INSULATOR	MACOR

SCHEMATIC



**DETAIL A
SCALE 4 : 1**

MODEL NUMBER	DIM A
6946A1.7	20.0 ± .5 (1.7 FT)
6946A03	36.0 ± 1.0 (3 FT)
6946A05	60.0 ± 3.0 (5 FT)
6946A08	96.0 ± 3.0 (8 FT)
6946A10	120.0 ± 3.0 (10 FT)
6946A15	180.0 ± 5.0 (15 FT)
6946A20	240.0 ± 6.0 (20 FT)

- 6. DO NOT BEND CABLE WITHIN SECTION INDICATED ON BOTH ENDS OF CABLE. DO NOT BEND CABLE WHILE INSTALLED.
- 5. WEIGHT: 3.7 GRAMS PER FOOT APPROX.
- 4. MAXIMUM TORQUE: 12 LB-INCH.
- 3. MINIMUM BENDING RADIUS: 1.4 INCH.
- 2. CABLE LENGTH IS VARIABLE AND DESIGNATED AS LAST 2 DIGITS OF MODEL NUMBER. EXAMPLE: 6946A10 IS 10 FEET LONG.
- 1. MAXIMUM TEMPERATURE: 1200 °F.

NOTES: UNLESS OTHERWISE SPECIFIED.

USED ON	NEXT ASSY
APPLICATION	
THIRD ANGLE PROJECTION USA	

UNLESS OTHERWISE SPECIFIED:
 INTERPRET DIM & TOL PER ASME Y14.5M - 1994.
 REMOVE BURRS.
 COUNTERSINK INTERNAL THDS 90° TO MAJOR DIA.
 CHAM EXT THDS 45° TO MINOR DIA.
 THD LENGTHS AND DEPTHS ARE FOR MIN FULL THDS.
 THDS PER MIL-S-7742.
 DIMENSIONS APPLY AFTER FINISHING.

ALL MACHINED SURFACES. \checkmark 63
 TOTAL RUNOUT WITHIN .005.
 BREAK SHARP EDGES .005 TO .010.
 MACHINED FILLET RADII .005 TO .015.
 WELDING SYMBOLS PER AWS A2.4.
 ABBREVIATIONS PER MIL-STD-12.

UNLESS OTHERWISE SPECIFIED:
 DIMENSIONS ARE IN INCHES.
 DIMENSIONS IN BRACKETS [] ARE IN MILLIMETERS
 TOLERANCES ARE:
 INCHES METRIC ANGLES
 .XX ± .03 X ± 0.8 ± 1°
 .XXX ± .010 .XX ± 0.25

MATERIAL

FINISH

DO NOT SCALE DRAWING

APPROVALS		DATE
ORIG	RA	10/13/10
CHK	JS	10/19/10
APP	DV	10/25/10
APP		

DYTRAN INSTRUMENTS, INC. Chatsworth, CA

MASTER COPY IN RED

TITLE: **OUTLINE/INSTALLATION DRAWING, HARDLINE CABLE, MODEL 6946A**

SIZE A	CAGE CODE 2W033	DWG. NO. 127-6946A	REV E
---------------	------------------------	---------------------------	--------------

SCALE: 2:1 SOLIDWORKS SHEET 1 OF 1