

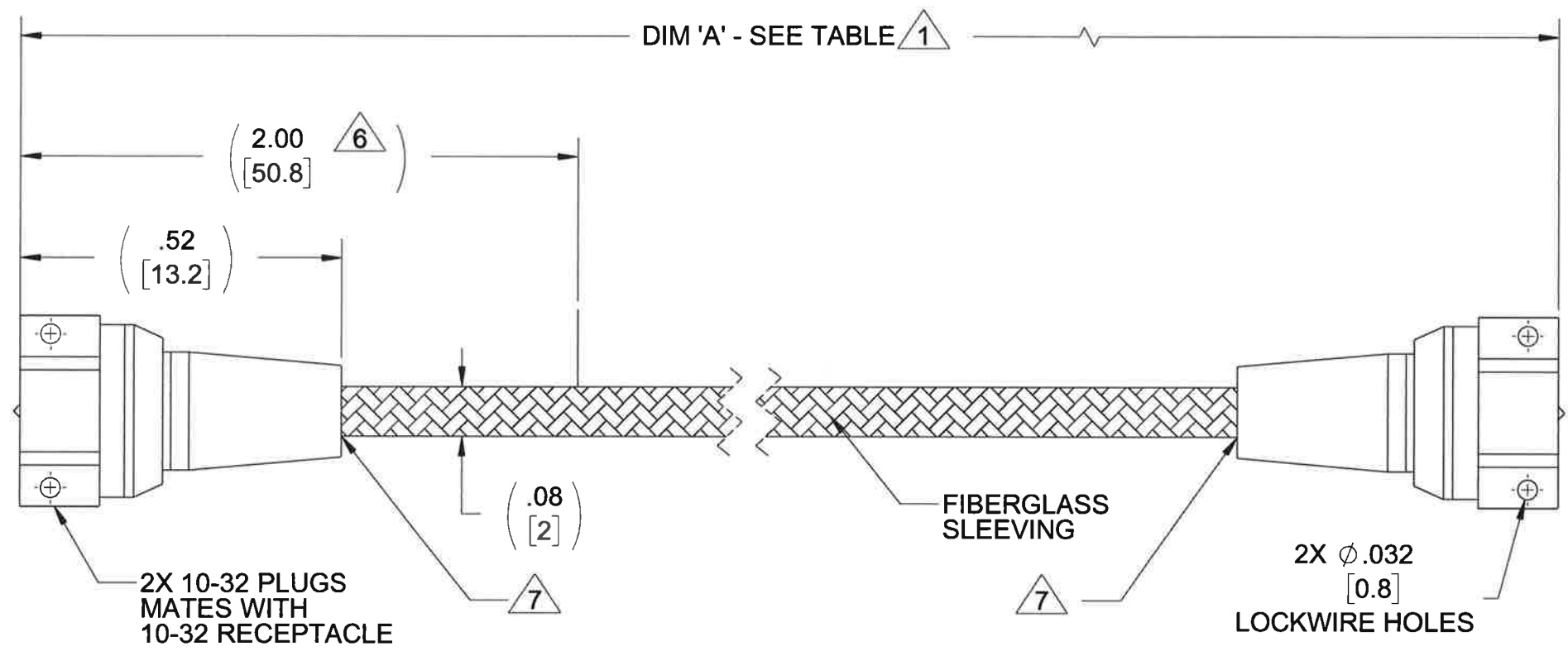
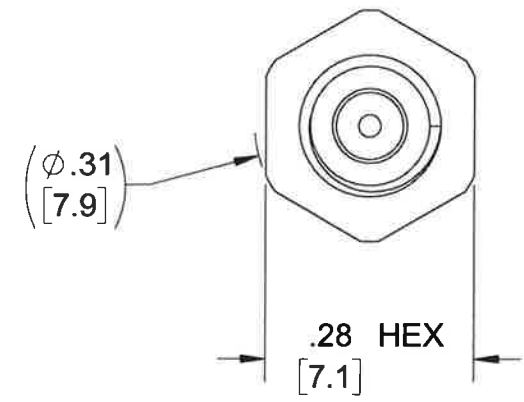
PROPRIETARY AND CONFIDENTIAL

THE INFORMATION CONTAINED IN THIS DRAWING IS THE SOLE PROPERTY OF DYTRAN INSTRUMENTS INC. ANY REPRODUCTION IN PART OR AS A WHOLE WITHOUT THE WRITTEN PERMISSION OF DYTRAN INSTRUMENTS INC. IS PROHIBITED

REVISIONS

REV.	ECN	DESCRIPTION	BY/DATE	CHK	APPR
B	13553	ADD NOTE $\triangle 7$	EP 07/07/17	LN	MH

MODEL NUMBER	DIM 'A'
60016A1.7	20.0 ± .5 (1.7 FT)
60016A03	36.0 ± 1.0 (3 FT)
60016A05	60.0 ± 3.0 (5 FT)
60016A08	96.0 ± 3.0 (8 FT)
60016A10	120.0 ± 3.0 (10 FT)
60016A15	180.0 ± 5.0 (15 FT)
60016A20	240.0 ± 6.0 (20 FT)
60016A30	360.0 ± 6.0 (30 FT)



MATERIALS	
JACKET	304L SS
NUT	304L SS
STRAIN RELIEF	304L SS
PIN	INCONEL 718
CABLE INSULATOR	SILICON DIOXIDE
SLEEVING	FIBERGLASS

$\triangle 7$  DO NOT PULL FIBERGLASS SLEEVE. FIBERGLASS SLEEVE MAY RETRACT FROM POSITION.

$\triangle 6$  DO NOT BEND CABLE WITHIN SECTION INDICATED ON BOTH ENDS OF CABLE. DO NOT BEND CABLE WHILE INSTALLED.

5. WEIGHT: 2.5 GRAMS PER FOOT APPROX.

4. MAXIMUM TORQUE: 12 lb-in.

3. MINIMUM BENDING RADIUS: 1.4 INCH.

2. MAXIMUM OPERATING TEMPERATURE: 1100°F.

$\triangle 1$  CABLE LENGTH IS VARIABLE AND DESIGNATED AS LAST 2 DIGITS OF MODEL NUMBER. EXAMPLE: 60016A10 IS 10 FEET LONG.

NOTES: UNLESS OTHERWISE SPECIFIED

UNLESS OTHERWISE SPECIFIED:  
 INTERPRET DIM & TOL PER ASME Y14.5M - 1994.  
 REMOVE BURRS.  
 COUNTERSINK INTERNAL THDS 90° TO MAJOR DIA.  
 CHAM EXT THDS 45° TO MINOR DIA. THD LENGTHS AND DEPTHS ARE FOR MIN FULL THDS.  
 DIMENSIONS APPLY AFTER FINISHING.

ALL MACHINED SURFACES  $\checkmark$   
 TOTAL RUNOUT WITHIN .005.  
 BREAK SHARP EDGES .005 TO .010.  
 MACHINED FILLET RADII .005 TO .015.  
 WELDING SYMBOLS PER AWS A2.4.  
 ABBREVIATIONS PER MIL-STD-12.

DECIMALS		METRIC		ANGLES
.XX ± .03	.X ± 0.8	.X ± 0.8	.XX ± 0.25	± 1°
.XXX ± .010				

APPROVALS		DATE
ORIG	LN	06/08/16
CHK	MH	07/07/17
APP		

DO NOT SCALE DRAWING

THIRD ANGLE PROJECTION

**DYTRAN INSTRUMENTS, INC.** Chatsworth, CA

**MASTER ONLY IF IN RED**

TITLE: **OUTLINE/INSTALLATION DWG, HARDLINE CABLE ASSY, INSULATED, MODEL 60016A**

SIZE <b>B</b>	CAGE CODE <b>2W033</b>	DWG NO <b>127-60016A</b>	REV <b>B</b>
---------------	------------------------	--------------------------	--------------

SCALE: 4:1 SHEET 1 OF 1