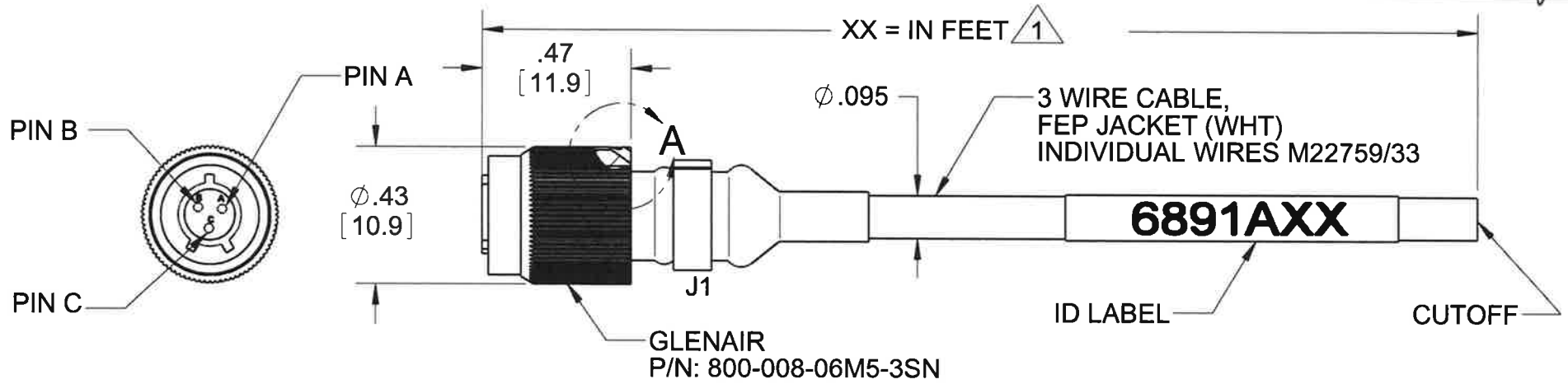


PROPRIETARY AND CONFIDENTIAL

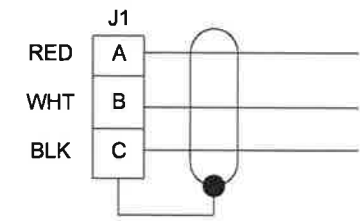
THE INFORMATION CONTAINED IN THIS DRAWING IS THE SOLE PROPERTY OF DYTRAN INSTRUMENTS INC. ANY REPRODUCTION IN PART OR AS A WHOLE WITHOUT THE WRITTEN PERMISSION OF DYTRAN INSTRUMENTS, INC. IS PROHIBITED

REVISIONS

REV	ECN	DESCRIPTION	BY/DATE	CHK	APPR
B	7516	SEE ECN	RA, 05/03/11	EP	DV
C	11086	ADDED ID LABEL. DIM ϕ .095 WAS ϕ .062/.070	EC, 06/11/14	<i>[Signature]</i>	<i>[Signature]</i>



3. MATES WITH GLENAIR P/N: 257-472
 2. TEMPERATURE: 121°C MAX
- △ 1 THE LENGTH OF THE CABLE ASSEMBLY IS DESIGNATED BY THE XX IN THE MODEL NUMBER (6891AXX.) XX EQUALS THE CABLE LENGTH IN FEET. (I.E. 6891A10 IS A 10 FT LENGTH CABLE ASSEMBLY)



SCHMATIC

**DETAIL A
SCALE 4 : 1**

NOTES: UNLESS OTHERWISE SPECIFIED.

6891A SERIES		UNLESS OTHERWISE SPECIFIED: INTERPRET DIM & TOL PER ASME Y14.5M - 1994. REMOVE BURRS. COUNTERSINK INTERNAL THDS 90° TO MAJOR DIA. CHAM EXT THDS 45° TO MINOR DIA. THD LENGTHS AND DEPTHS ARE FOR MIN FULL THDS. THDS PER MIL-S-7742. DIMENSIONS APPLY AFTER FINISHING.	UNLESS OTHERWISE SPECIFIED: DIMENSIONS ARE IN INCHES. DIMENSIONS IN BRACKETS [] ARE IN MILLIMETERS TOLERANCES ARE: INCHES METRIC ANGLES .XX ± .03 X ± 0.8 ± 1° .XXX ± .010 .XX ± 0.25
USED ON	NEXT ASSY		
APPLICATION			
THIRD ANGLE PROJECTION USA			

ALL MACHINED SURFACES. TOTAL RUNOUT WITHIN .005. BREAK SHARP EDGES .005 TO .010. MACHINED FILLET RADII .005 TO .015. WELDING SYMBOLS PER AWS A2.4. ABBREVIATIONS PER MIL-STD-12.

MATERIAL	
FINISH	
DO NOT SCALE DRAWING	

CONTRACT NO.	
APPROVALS	
ORIG	DATE
CHK	10/06/09
APP	01/18/10
APP	02/04/10
APP	<i>[Signature]</i> 9/2/11

MASTER COPY IF IN RED
Chatsworth, CA

TITLE: **OUTLINE DRAWING, CABLE ASSY, 6891A**

SIZE A	CAGE CODE 2W033	DWG. NO.	REV C
SCALE: 2:1	SOLIDWORKS	127-6891A	
		SHEET 1 OF 1	