

PROPRIETARY AND CONFIDENTIAL

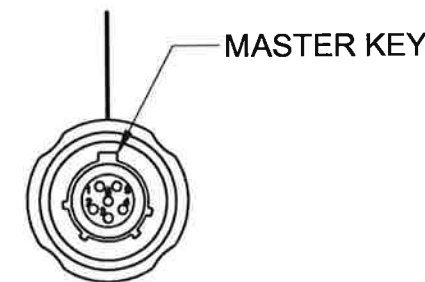
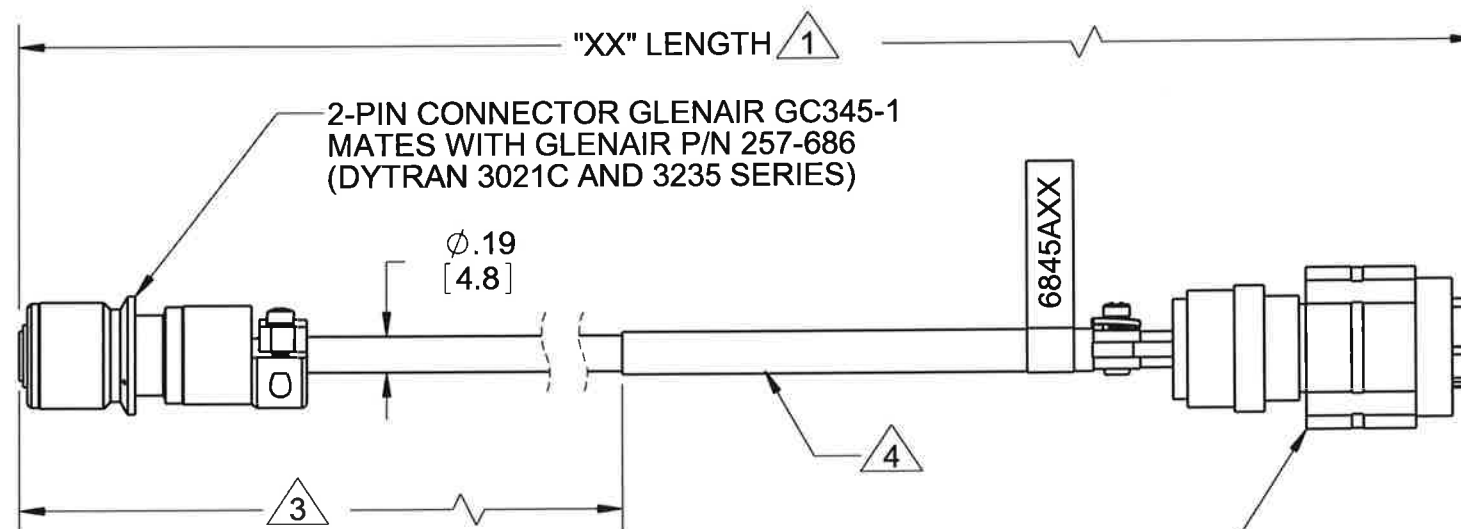
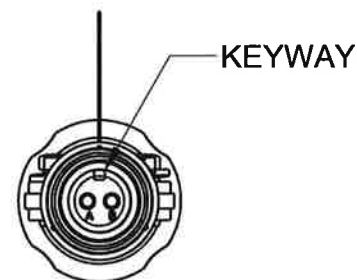
THE INFORMATION CONTAINED IN THIS DRAWING IS THE SOLE PROPERTY OF DYTRAN INSTRUMENTS INC. ANY REPRODUCTION IN PART OR AS A WHOLE WITHOUT THE WRITTEN PERMISSION OF DYTRAN INSTRUMENTS INC. IS PROHIBITED

REVISIONS

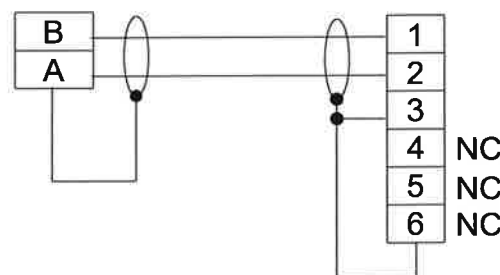
REV	ECN	DESCRIPTION	BY/DATE	CHK	APPR
A	6375	INITIAL RELEASE	RA 11/10/09	ANS	DV
B	11677	SEE ECN	NDC 01/19/15	LN	PT

1 CABLE LENGTH TOLERANCE

≤1FT	+1/ -0 IN
>1 FT - 5 FT	+2/ -0 IN
> 5 FT - 10 FT	+4/ -0 IN
>10 FT - 25FT	+6 / -0 IN
>25 FT	+5% / -0%



2 6 PIN CONNECTOR
D38999/26WA35SN
MATES WITH D38999/25YA35PN
(DYTRAN 4707)



4 2 / CONDUCTOR CABLE TYPE NEMA WC 27500	
AWG	22-19/34 SILVER PLATED COPPER
WIRE TYPE	WIL-W-1678/5 / PTFE .015 WALL THICKNESS
WIRE TEMPERATURE	200 °C
VOLTAGE	600 VOLTS
SHIELD	38 AWG SILVER PLATED COPPER 95% COVERAGE 30 ° ANGLE
JACKET	WHITE TEFLON WRAP .010/.015 WALL THICKNESS
DIAMETER	MAX Ø.190

4 SEE CABLE SPECIFICATIONS TABLE.

3 TEMPERATURE RATING: -65°F TO 500°F (-53 °C TO 260 °C).

2 CONNECTOR TEMPERATURE RATING -85°F TO 347°F (-65 °C TO 175 °C).

1 MODEL NUMBER 6845XX, XX DENOTES LENGTH IN FEET.

NOTES: UNLESS OTHERWISE SPECIFIED

UNLESS OTHERWISE SPECIFIED:
INTERPRET DIM & TOL PER
ASME Y14.5M - 1994.
REMOVE BURRS.
COUNTERSINK INTERNAL THDS
90° TO MAJOR DIA.
CHAM EXT THDS 45° TO MINOR DIA.
THD LENGTHS AND DEPTHS ARE FOR
MIN FULL THDS.
DIMENSIONS APPLY AFTER FINISHING.

ALL MACHINED SURFACES.
TOTAL RUNOUT WITHIN .005.
BREAK SHARP EDGES .005 TO .010.
MACHINED FILLET RADII .005 TO .015.
WELDING SYMBOLS PER AWS A2.4.
ABBREVIATIONS PER MIL-STD-12.

UNLESS OTHERWISE SPECIFIED:
DIMENSIONS ARE IN INCHES.
DIMENSIONS IN BRACKETS [] ARE IN
MILLIMETERS TOLERANCES ARE:

DECIMALS	METRIC	ANGLES
.XX ±.03	.X ± 0.8	±1°
.XXX ±.010	.XX ±0.25	

APPROVALS		DATE
ORIG	RA	11/05/09
CHK	ANS	11/24/09
APP	DV	12/09/09

DO NOT SCALE DRAWING



TITLE: **OUTLINE/INSTALLATION,
CABLE ASSY, 6845A**

SIZE **B** CAGE CODE **2W033** DWG NO **127-6845A** REV **B**

SCALE: 1:2 SHEET 1 OF 1