

PROPRIETARY AND CONFIDENTIAL

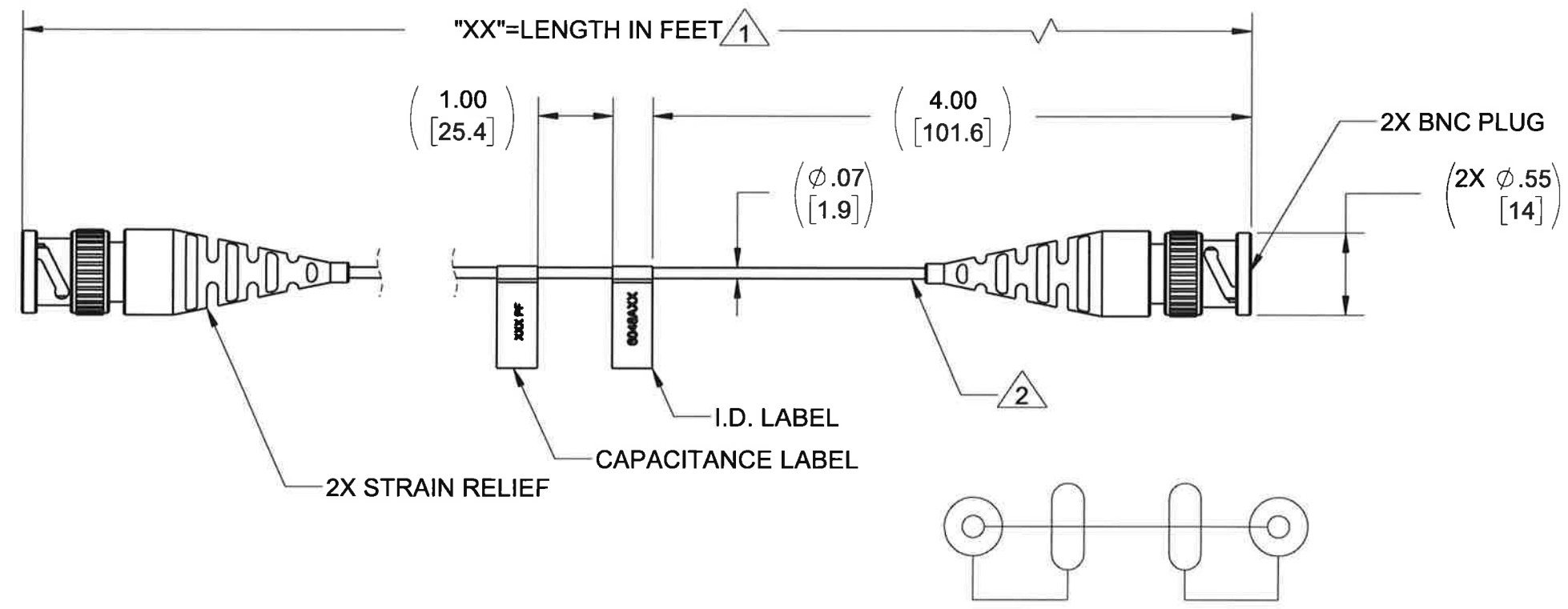
THE INFORMATION CONTAINED IN THIS DRAWING IS THE SOLE PROPERTY OF DYTRAN INSTRUMENTS INC. ANY REPRODUCTION IN PART OR AS A WHOLE WITHOUT THE WRITTEN PERMISSION OF DYTRAN INSTRUMENTS INC. IS PROHIBITED

REVISIONS

REV	ECN	DESCRIPTION	BY/DATE	CHK	APPR
A	9411	INITIAL RELEASE	RA 12/06/12	JS	DV
B	13101	SEE ECN	RA, 11/18/16	JS	W

**1** CABLE LENGTH TOLERANCE

≤1FT	+1/ -0 IN
>1 FT - 5 FT	+2/ -0 IN
> 5 FT - 10 FT	+4/ -0 IN
>10 FT - 25FT	+6 / -0 IN
>25 FT	+5% / -0%



**2** SINGLE CONDUCTOR SHIELDED LOW NOISE CABLE

AWG	30-7/38 NICKEL PLATED COPPER
TEMP	200 DEG C WIRE RATED
VOLTAGE	600 VOLTS
CONDUCTOR INSULATION	EXTRUDED PTFE, CLEAR, .032 DIA NOM.
CAPACITANCE (SHIELD TO CONDUCTOR)	27 pF/FT
LOW NOISE WRAP #1 & #2	CARBON TAPE
IMPEDANCE	52 OHMS
INDUCTANCE	.80 microH/FT
SHIELD	38 AWG SILVER PLATED COPPER BRAID, 85% MIN COVERAGE, .050 DIA NOM
RESISTANCE	.20 OHM
JACKET	RED PTFE WRAP .005-.010 WALL
DIAMETER	.073 DIA NOM.
MINIUM BEND RADIUS	1 IN

**SCHEMATIC DIAGRAM**

4. OPERATING RANGE: -15°F (-26°C) TO 257°F (125°C)  
 3. PULL STRENGTH, MAX: BNC CONNECTOR : 60 LB DEAD WEIGHT  
**2** SEE CABLE SPECIFICATION TABLE.  
**1** MODEL NUMBER 6048AXX, XX DENOTES LENGTH IN FEET.  
 NOTES: UNLESS OTHERWISE SPECIFIED

UNLESS OTHERWISE SPECIFIED:  
 INTERPRET DIM & TOL PER ASME Y14.5M - 1994.  
 REMOVE BURRS.  
 COUNTERSINK INTERNAL THDS 90° TO MAJOR DIA.  
 CHAM EXT THDS 45° TO MINOR DIA.  
 THD LENGTHS AND DEPTHS ARE FOR MIN FULL THDS.  
 DIMENSIONS APPLY AFTER FINISHING.

ALL MACHINED SURFACES.  
 TOTAL RUNOUT WITHIN .005.  
 BREAK SHARP EDGES .005 TO .010.  
 MACHINED FILLET RADII .005 TO .015.  
 WELDING SYMBOLS PER AWS A2.4.  
 ABBREVIATIONS PER MIL-STD-12.

DECIMALS		METRIC		ANGLES ±1°
.XX ±.03	.X ±0.8			
.XXX ±.010	.XX ±0.25			
APPROVALS		DATE		
ORIG	RA	12/06/12		
CHK	JS	01/17/13		
APP	DV	01/17/13		
DO NOT SCALE DRAWING		THIRD ANGLE PROJECTION USA		

**DYTRAN MASTER INSTRUMENTS, INC.** Chatsworth, CA  
**ONLY IN RED**

TITLE: **OUTLINE/INSTALLATION DRAWING, CABLE ASSY, BNC TO BNC, MODEL 6048A**

SIZE <b>B</b>	CAGE CODE <b>2W033</b>	DWG NO <b>127-6048A</b>	REV <b>B</b>
SCALE: 1:1		SHEET 1 OF 1	