

PROPRIETARY AND CONFIDENTIAL

THE INFORMATION CONTAINED IN THIS DRAWING IS THE SOLE PROPERTY OF DYTRAN INSTRUMENTS INC. ANY REPRODUCTION IN PART OR AS A WHOLE WITHOUT THE WRITTEN PERMISSION OF DYTRAN INSTRUMENTS INC. IS PROHIBITED

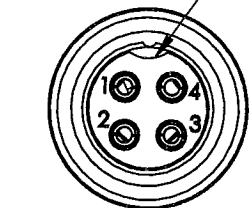
REVISIONS

REV.	ECN	DESCRIPTION	BY/DATE	CHK	APPR
A	9197	INITIAL RELEASE	JS 10/08/12	JS	AS

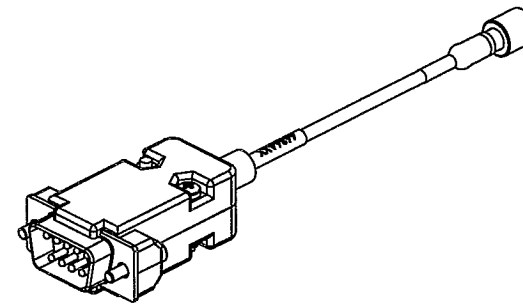
1 CABLE LENGTH TOLERANCE

≤1FT	+1/ -0 IN
>1 FT - 5 FT	+2/ -0 IN
> 5 FT - 10 FT	+4/ -0 IN
>10 FT - 25FT	+6 / -0 IN
>25 FT	+5% / -0%

KEYWAY



DETAIL A SCALE 4:1



D

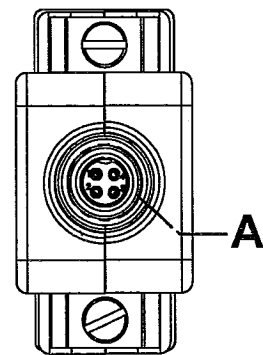
D

C

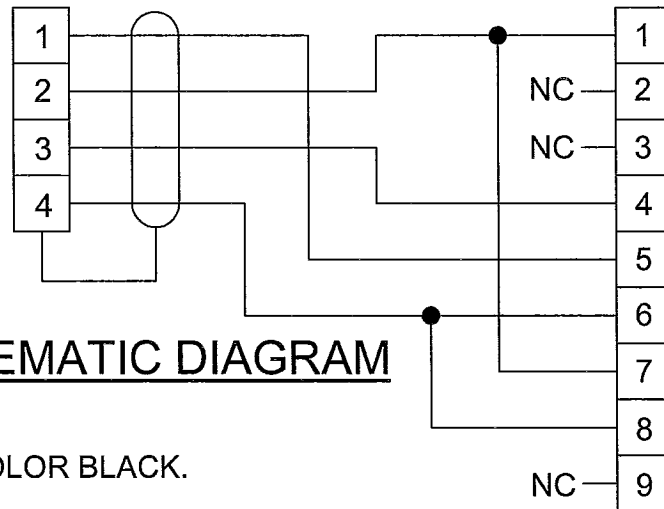
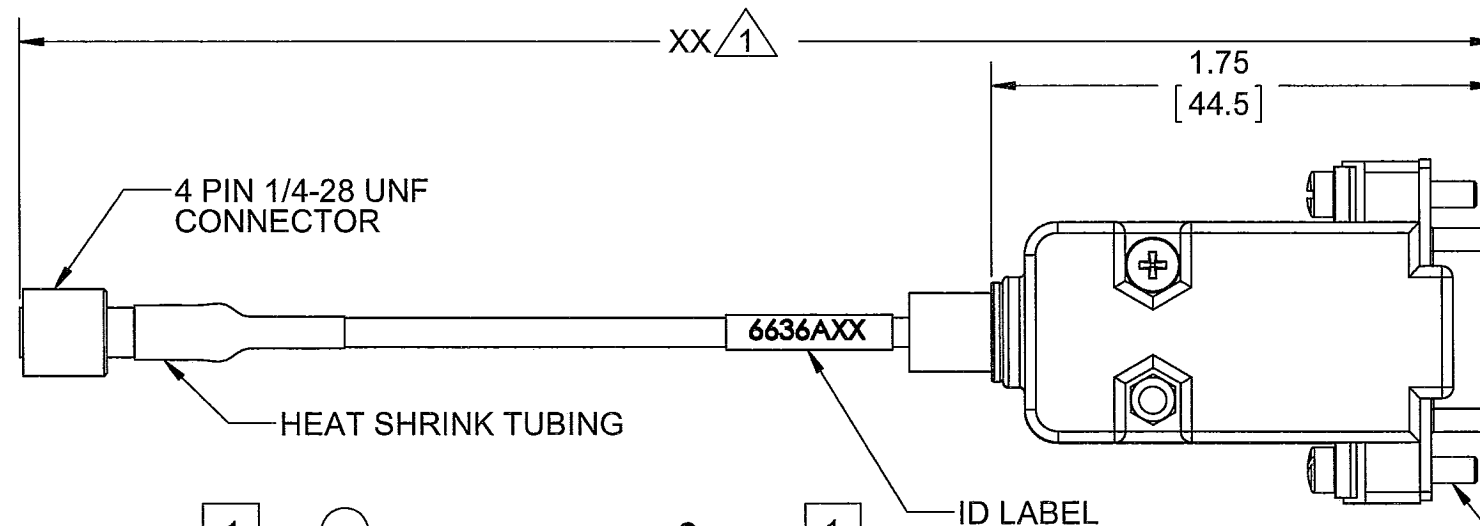
C

B

B



A



SCHEMATIC DIAGRAM

- 6. JACKET FEP .006/.015 WALL NOMINAL, COLOR BLACK.
- 5. VOLTAGE RATING 250 VOLTS.
- 4. SHIELDING SILVER PLATED COPPER BRAID, 90% MIN COVERAGE.
- 3. 4 CONDUCTOR 30 AWG 7/38 SILVER PLATED COPPER, FEP.
- 2. TEMPERATURE RANGE:-18°C TO 80°C (-4°F TO 176°F).

1 PART NUMBER: 6636AXX (XX DENOTES LENGTH IN FEET).

NOTES: UNLESS OTHERWISE SPECIFIED

UNLESS OTHERWISE SPECIFIED:
 INTERPRET DIM & TOL PER ASME Y14.5M - 1994.
 REMOVE BURRS.
 COUNTERSINK INTERNAL THDS 90° TO MAJOR DIA.
 CHAM EXT THDS 45° TO MINOR DIA.
 THD LENGTHS AND DEPTHS ARE FOR MIN FULL THDS.
 DIMENSIONS APPLY AFTER FINISHING.

ALL MACHINED SURFACES. ⁶³/_V
 TOTAL RUNOUT WITHIN .005.
 BREAK SHARP EDGES .005 TO .010.
 MACHINED FILLET RADII .005 TO .015.
 WELDING SYMBOLS PER AWS A2.4.
 ABBREVIATIONS PER MIL-STD-12.

DECIMALS	METRIC	ANGLES
.XX ±.03	X ± 0.8	±1°
.XXX ±.010	.XX ±0.25	

APPROVALS		DATE
ORIG	JS	10/01/12
CHK	JS	10/08/12
APP	AS	10/10/12
DO NOT SCALE DRAWING		THIRD ANGLE PROJECTION USA

DYTRAN INSTRUMENTS, INC. MASTER
 Chatsworth, CA
 ONLY IT IN REV

TITLE: **OUTLINE/INSTALLATION DRAWING, CABLE ASSEMBLY, 4 PIN TO DB9 W/HOOD, 6636A**

SIZE B	CAGE CODE 2W033	DWG NO 127-6636A	REV A
SCALE: 1:2		SHEET 1 OF 1	