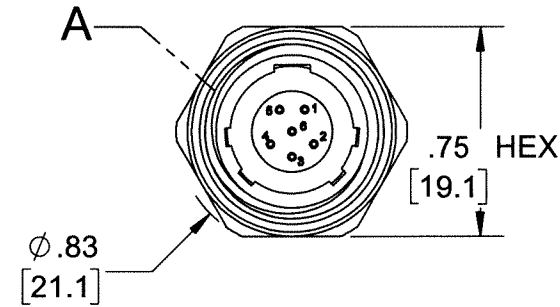
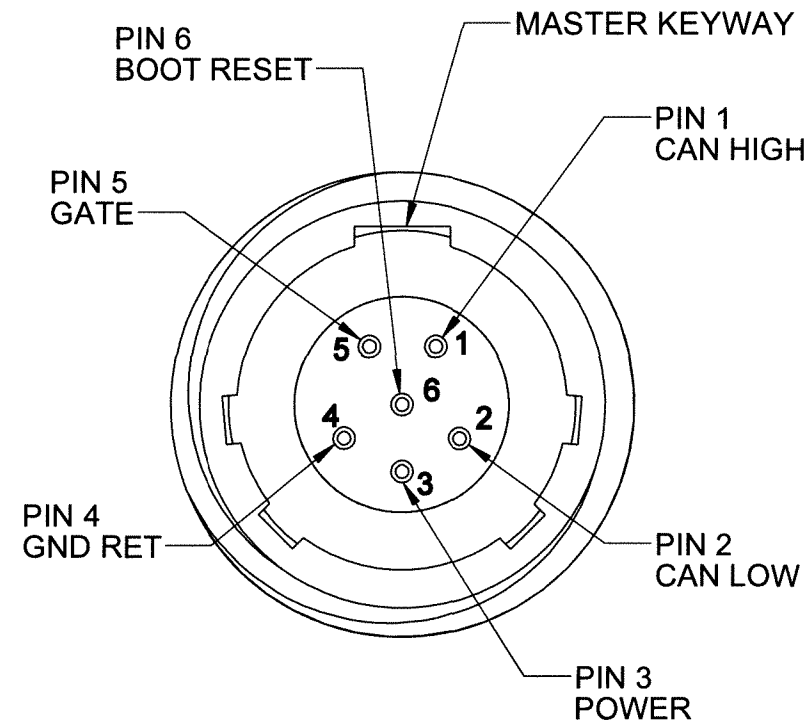


PROPRIETARY AND CONFIDENTIAL

THE INFORMATION CONTAINED IN THIS DRAWING IS THE SOLE PROPERTY OF DYTRAN INSTRUMENTS INC. ANY REPRODUCTION IN PART OR AS A WHOLE WITHOUT THE WRITTEN PERMISSION OF DYTRAN INSTRUMENTS INC. IS PROHIBITED

REVISIONS

| REV. | ECN | DESCRIPTION | BY/DATE | CHK | APPR |
|------|-------|--|-----------------|-----|------|
| A | 13869 | INITIAL RELEASE. SAME AS REV X7. | KG 11/29/17 | LN | DV |
| B | 14088 | UPDATED CAN-MD REGISTERED TRADEMARK | DP 03/12/18 | MH | LN |
| C | 14912 | UPDATED ISOMETRIC VIEW TO SHOW SENSITIVITY ARROW | DA, 02/21/19 | KG | LN |



CONNECTOR, 6-PIN, D38999/25YA35PN MATES WITH D38999/26WA35SN

2X Ø.047 [1.2] LOCKWIRE HOLES

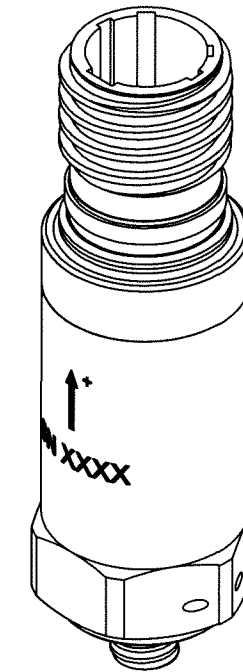
2.39 [60.7]

.25 [6.4]

Ø.64 [16.3]

1/4-28 UNF-2A

RECOMMENDED MOUNTING PREP: PREPARE MOUNTING SURFACE FLAT TO .001 TIR. TAP 1/4-28 UNF-2B ∇.30 MIN. MOUNTING TORQUE: 12-15 lb-in



DETAIL A SCALE 4 : 1

3 ARROW INDICATES DIRECTION OF ACCELERATION FOR POSITIVE OUTPUT

2. MATERIAL, CASE & CONNECTOR: 300 SERIES S.S.

1. WEIGHT: 60 GRAMS, MAX.

NOTES: UNLESS OTHERWISE SPECIFIED

UNLESS OTHERWISE SPECIFIED: INTERPRET DIM & TOL PER ASME Y14.5M - 1994. REMOVE BURRS. COUNTERSINK INTERNAL THDS 90° TO MAJOR DIA. CHAM EXT THDS 45° TO MINOR DIA. THD LENGTHS AND DEPTHS ARE FOR MIN FULL THDS. DIMENSIONS APPLY AFTER FINISHING.

ALL MACHINED SURFACES. TOTAL RUNOUT WITHIN .005. BREAK SHARP EDGES .005 TO .010. MACHINED FILLET RADII .005 TO .015. WELDING SYMBOLS PER AWS A2.4. ABBREVIATIONS PER MIL-STD-12.

UNLESS OTHERWISE SPECIFIED: DIMENSIONS ARE IN INCHES. DIMENSIONS IN BRACKETS [] ARE IN MILLIMETERS TOLERANCES ARE:

| DECIMALS | METRIC | ANGLES |
|------------|-----------|--------|
| .XX ±.03 | X ± 0.8 | ±1° |
| .XXX ±.010 | .XX ±0.25 | |

| APPROVALS | | DATE |
|-----------|----|----------|
| ORIG | LN | 06/20/14 |
| CHK | LN | 11/29/17 |
| APP | DV | 12/08/17 |

DO NOT SCALE DRAWING



Chatsworth, CA

MASTER ONLY IF IN RED

TITLE: OUTLINE/INSTALLATION DWG, MODEL 3409A

| | | | |
|--------|-----------------|------------------|-------|
| SIZE B | CAGE CODE 2W033 | DWG NO 127-3409A | REV C |
|--------|-----------------|------------------|-------|

SCALE: 4:1 SHEET 1 OF 1

Model Number
3409A

PERFORMANCE SPECIFICATION

DOC NO
PS3409A

SINGLE AXIS ACCELEROMETER, CAN OUTPUT

REV A, ECN 13869, 12/07/17



- HIGH FREQUENCY PERFORMANCE
- ELECTRICALLY ISOLATED
- EXCELLENT LINEARITY
- HERMETICALLY SEALED
- CAN OUTPUT

PHYSICAL

Weight, Max.
Mounting provision
Connector
Housing Material

| ENGLISH | | SI | |
|-----------------|----|-----------------|-------|
| 2.1 | oz | 60 | grams |
| 1/4-28 UNF-2A | | 1/4-28 UNF-2A | |
| D38999/25YA35PN | | D38999/25YA35PN | |
| 300 Series S.S. | | 300 Series S.S. | |

PERFORMANCE (SYSTEM)

Input range
Maximum bandwidth
Available sampling rates
Resonant Frequency
Equivalent Electrical Noise Floor
Linearity [1]
Maximum Transverse Sensitivity
Strain Sensitivity @ 250 µε
Available Vibration Analysis:

| ENGLISH | | SI | |
|-----------------------------------|--------|-----------------------------------|----------------------|
| ±500 | g | ±4905 | m/s ² |
| 1 to 15,500 | Hz | 1 to 15,500 | Hz |
| 1.625 / 3.25 / 6.5 / 13 / 26 / 52 | kHz | 1.625 / 3.25 / 6.5 / 13 / 26 / 52 | kHz |
| >40 | kHz | >40 | kHz |
| 0.015 | Grms | 0.147 | m/s ² rms |
| ± 2% | % F.S. | ± 2% | % F.S. |
| 5 | % | 5 | % |
| 0.03 | g/µε | 0.29 | m/s ² /µε |

Asynchronous

| | | | | | |
|---------------|----------------|---------------------------------|-----------------------------------|--------------------|-------------------|
| Time Data RMS | Time Data Skew | Absolute/Relative Spectral Peak | Absolute/Relative Spectral Energy | Raw Vibration Data | Raw Spectral Data |
|---------------|----------------|---------------------------------|-----------------------------------|--------------------|-------------------|

Synchronous

| | | | |
|--------------|-------------------|------------------------|--------------------|
| TSA Waveform | Order Domain Data | Order Domain Amplitude | Order Domain Phase |
|--------------|-------------------|------------------------|--------------------|

ENVIRONMENTAL

Maximum Vibration
Maximum Shock
Temperature Range
Seal

| | | | |
|------------|-----------|------------|-----------------------|
| ±600 | g's, peak | ±5886 | m/s ² peak |
| ±2000 | g's, peak | ±19620 | m/s ² peak |
| -40 to 250 | °F | -40 to 121 | °C |
| Hermetic | | Hermetic | |

Electrical

Power Consumption
Compliance Voltage Range
Electrical Isolation, Ground Wire to Case

| | | | |
|----------|---------|----------|---------|
| <0.4 | W | <0.4 | W |
| 10 to 32 | Volts | 10 to 32 | Volts |
| 10 | MΩ, min | 10 | MΩ, min |

This family also includes:

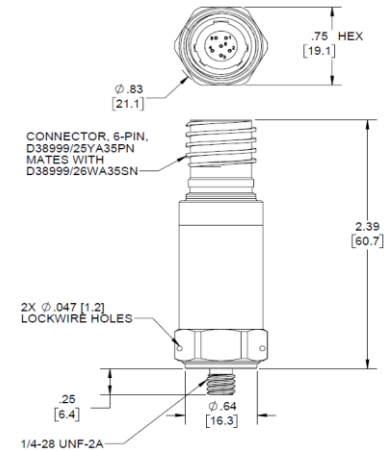
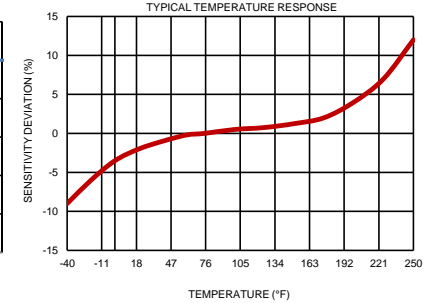
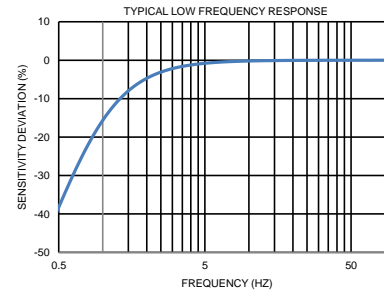
Refer to the performance specifications of the products in this family for detailed description

Supplied Accessories:

- 1) Accredited calibration certificate (ISO 17025)

Notes:

- [1] Measured using zero-based straight line method, % of F.S. or any lesser range.
- [2] Do not apply power to this system without current limiting, 65 mA MAX.
- [3] In the interest of constant product improvement, we reserve the right to change specifications without notice



Units on the line drawing are in inches, units in brackets are in millimeters. Refer to 127-3409A for more information.



21592 Marilla Street, Chatsworth, California 91311 Phone: 818.700.7818 Fax: 818.700.7880 www.dytran.com
For permission to reprint this content, please contact info@dytran.com

