

PROPRIETARY AND CONFIDENTIAL

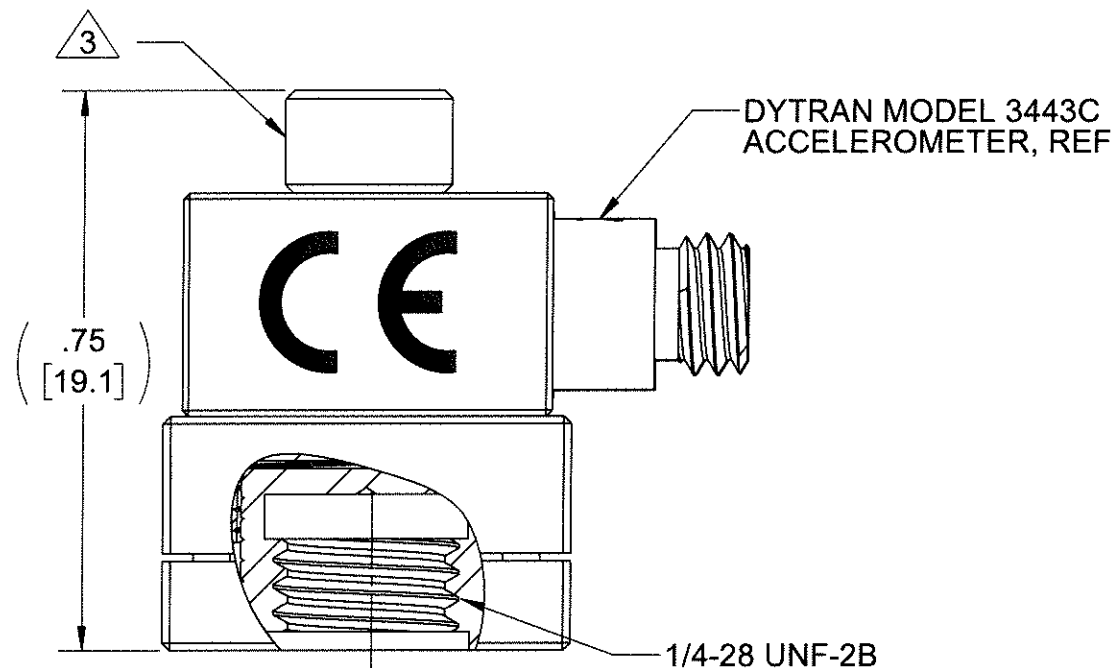
THE INFORMATION CONTAINED IN THIS DRAWING IS THE SOLE PROPERTY OF DYTRAN INSTRUMENTS INC. ANY REPRODUCTION IN PART OR AS A WHOLE WITHOUT THE WRITTEN PERMISSION OF DYTRAN INSTRUMENTS INC. IS PROHIBITED

REVISIONS

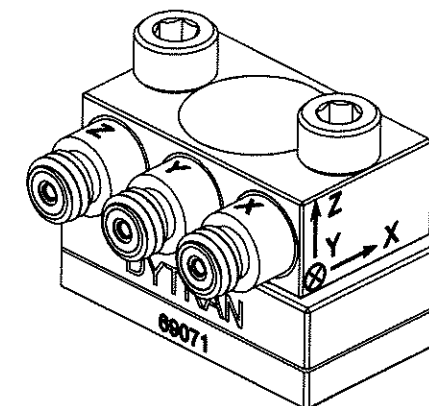
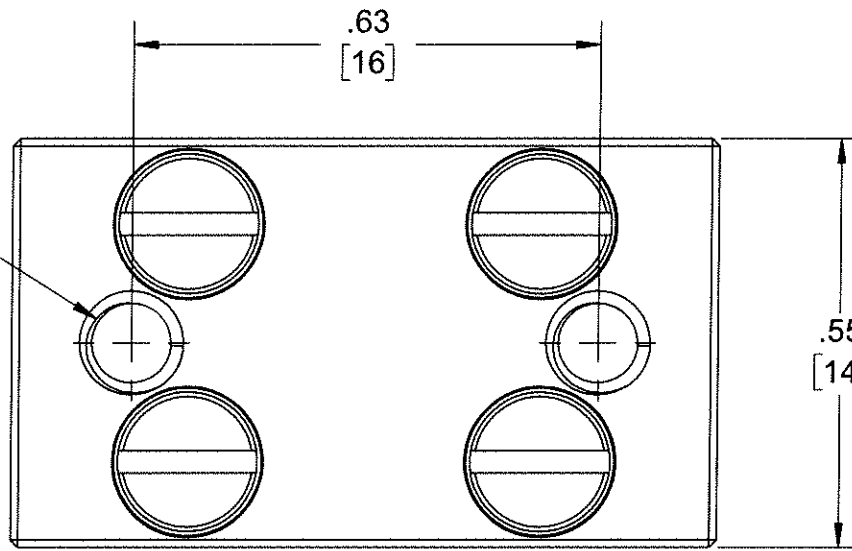
REV.	ECN	DESCRIPTION	BY/DATE	CHK	APPR
A	14508	INITIAL RELEASE. SAME AS REV X1.	NDC 10/09/18	KG	LW

D

D



2X 6-32 UNC-2B

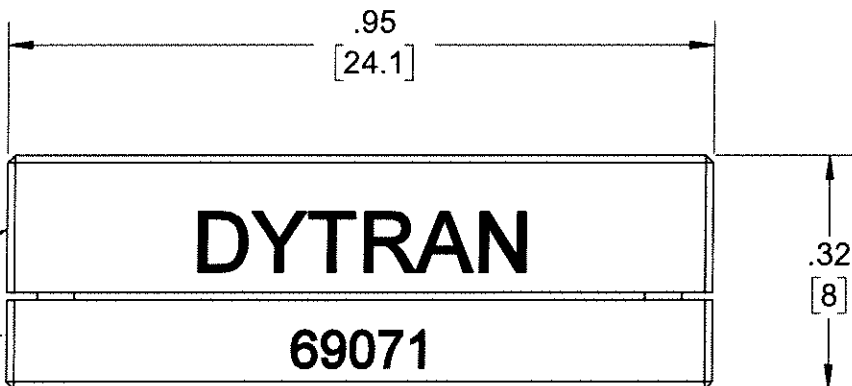
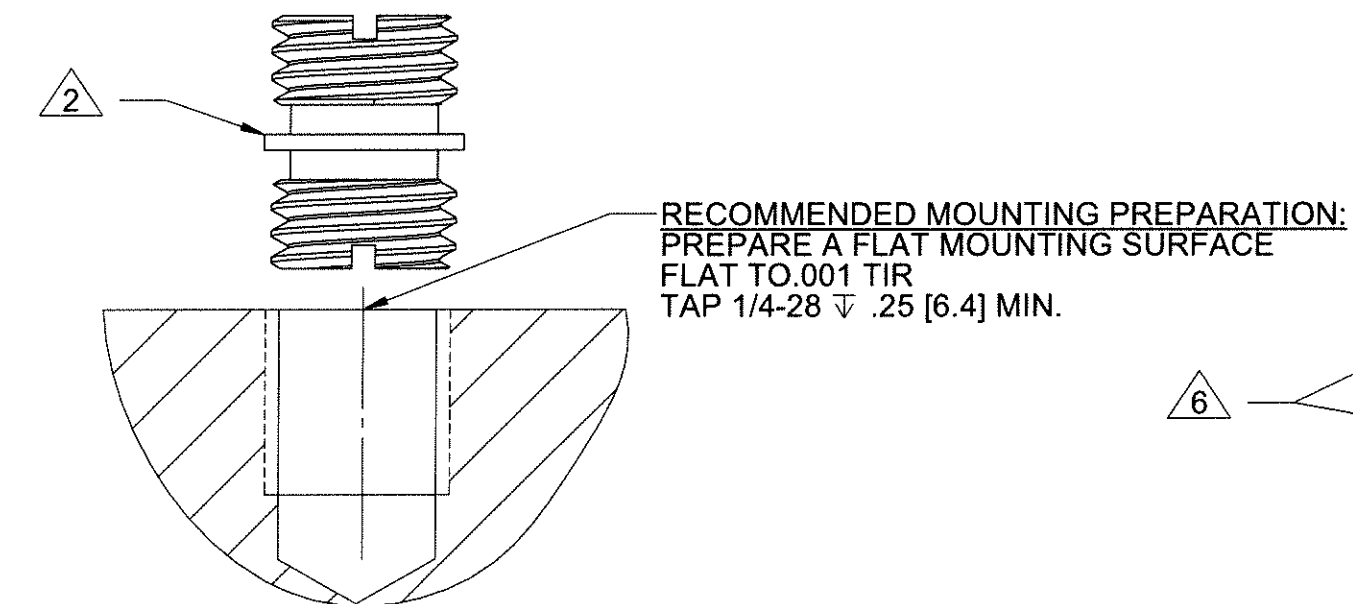


C

C

B

B



6

- 6 INSULATION RESISTANCE BETWEEN TOP AND BOTTOM SURFACES: 10 GΩ MIN.
 - 5. MAXIMUM TEMPERATURE RATING: 600°F (316°C.)
 - 4. WEIGHT: 10 GRAMS, MAX.
 - 3 MOUNTING SCREWS, MODEL 6247A2 SUPPLIED WITH ACCELEROMETER.
 - 2 MOUNTING STUD, MODEL 6176 (1/4-28 TO 1/4-28) SUPPLIED. MOUNTING TORQUE: 12-14 LB-IN.
 - 1. MATERIAL: TITANIUM ALLOY
- NOTES: UNLESS OTHERWISE SPECIFIED

UNLESS OTHERWISE SPECIFIED: INTERPRET DIM & TOL PER ASME Y14.5M - 1994. REMOVE BURRS. COUNTERSINK INTERNAL THDS 90° TO MAJOR DIA. CHAM EXT THDS 45° TO MINOR DIA. THD LENGTHS AND DEPTHS ARE FOR MIN FULL THDS. DIMENSIONS APPLY AFTER FINISHING.		UNLESS OTHERWISE SPECIFIED: DIMENSIONS IN BRACKETS [] ARE IN MILLIMETERS TOLERANCES ARE: DECIMALS METRIC ANGLES .XX ±.03 .X ± 0.8 ±1° .XXX ±.010 .XX ±0.25		<p>Chatsworth, CA</p>	
APPROVALS		DATE		TITLE: OUTLINE/INSTALLATION DRAWING, ISOLATION BASE, MODEL 69071	
ORIG	NDC	09/25/18			
CHK	KG	10/12/18			
APP	LW	10/16/18			
DO NOT SCALE DRAWING		THIRD ANGLE PROJECTION USA		SIZE B	CAGE CODE 2W033
				DWG NO 127-69071	REV A
				SCALE: 2:1	SHEET 1 OF 1

A

A