

PROPRIETARY AND CONFIDENTIAL

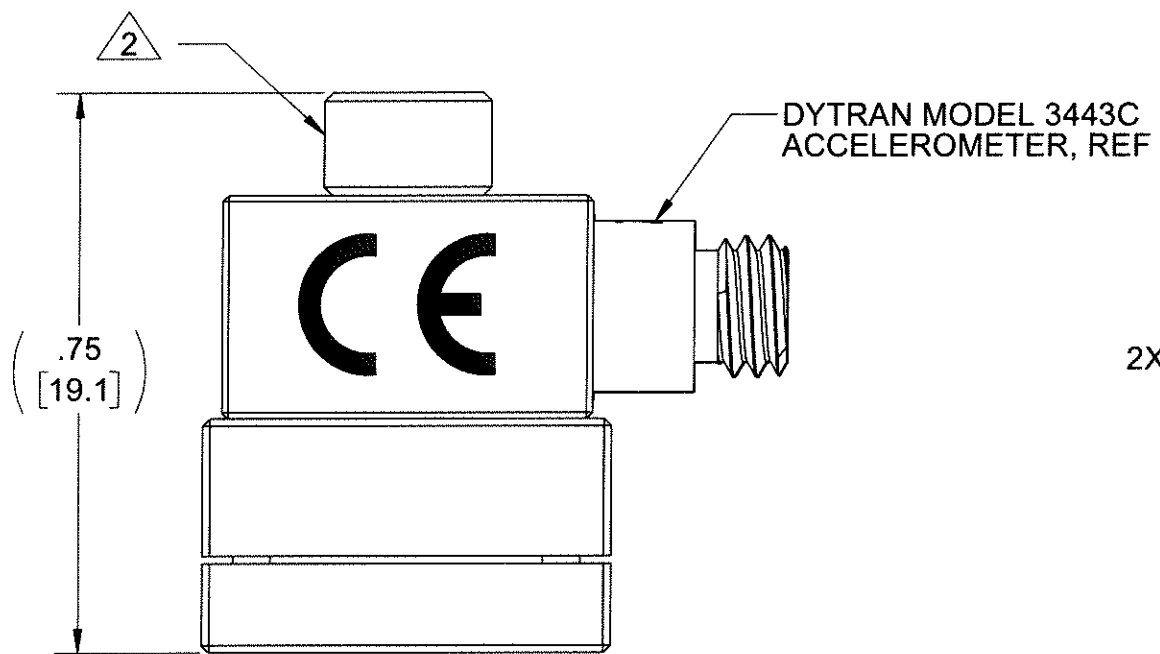
THE INFORMATION CONTAINED IN THIS DRAWING IS THE SOLE PROPERTY OF DYTRAN INSTRUMENTS INC. ANY REPRODUCTION IN PART OR AS A WHOLE WITHOUT THE WRITTEN PERMISSION OF DYTRAN INSTRUMENTS INC. IS PROHIBITED

REVISIONS

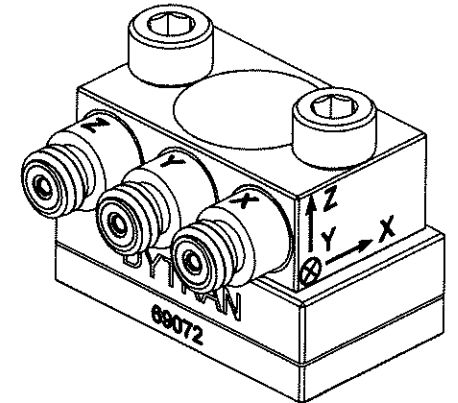
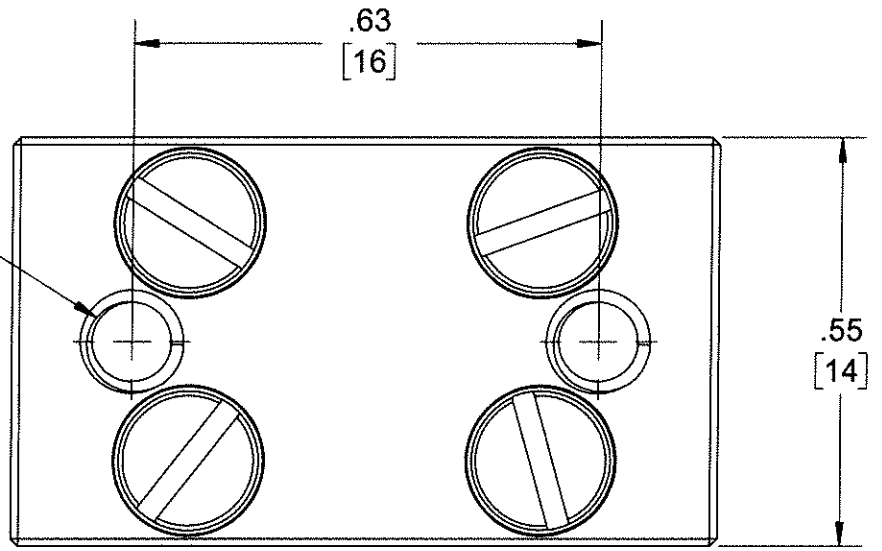
REV.	ECN	DESCRIPTION	BY/DATE	CHK	APPR
A	14508	INITIAL RELEASE. SAME AS REV X1.	NDC 10/09/18	KG	W

D

D



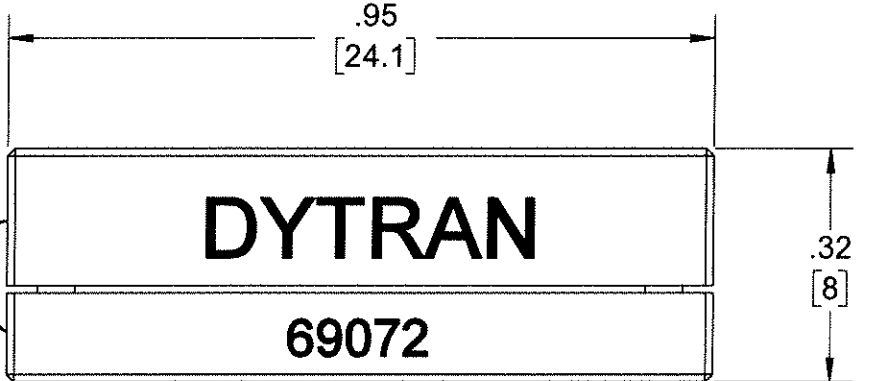
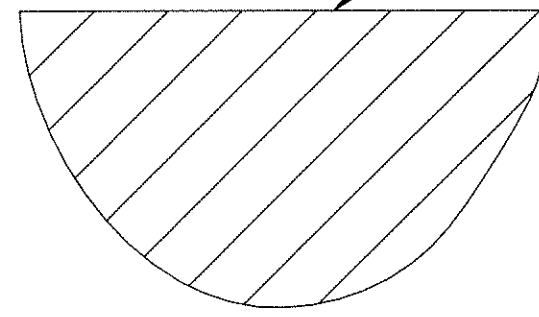
2X 6-32 UNC-2B



C

C

RECOMMENDED MOUNTING PREPARATION:
PREPARE A FLAT MOUNTING SURFACE
FLAT TO .001 TIR, 1.00 to .60 MIN.



B

B

- 5 INSULATION RESISTANCE BETWEEN TOP AND BOTTOM SURFACES: 10 GΩ MIN.
 - 4. MAXIMUM TEMPERATURE RATING: 600 °F (316 °C.)
 - 3. WEIGHT: 11 GRAMS, MAX
 - 2 MOUNTING SCREWS, MODEL 6247A2 SUPPLIED WITH ACCELEROMETER.
 - 1. MATERIAL: TITANIUM ALLOY
- NOTES: UNLESS OTHERWISE SPECIFIED

UNLESS OTHERWISE SPECIFIED:
INTERPRET DIM & TOL PER
ASME Y14.5M - 1994.
REMOVE BURRS.
COUNTERSINK INTERNAL THDS
90° TO MAJOR DIA.
CHAM EXT THDS 45° TO MINOR DIA.
THD LENGTHS AND DEPTHS ARE FOR
MIN FULL THDS.
DIMENSIONS APPLY AFTER FINISHING.

UNLESS OTHERWISE SPECIFIED:
DIMENSIONS ARE IN INCHES.
DIMENSIONS IN BRACKETS [] ARE IN
MILLIMETERS TOLERANCES ARE:

DECIMALS	METRIC	ANGLES
.XX ±.03	.X ±0.8	±1°
.XXX ±.010	.XX ±0.25	

APPROVALS DATE

ORIG	NDC	09/25/18
CHK	KG	10/12/18
APP	W	10/16/18

ALL MACHINED SURFACES. ⁶³✓
TOTAL RUNOUT WITHIN .005.
BREAK SHARP EDGES .005 TO .010.
MACHINED FILLET RADII .005 TO .015.
WELDING SYMBOLS PER AWS A2.4.
ABBREVIATIONS PER MIL-STD-12.

DO NOT SCALE DRAWING

THIRD ANGLE PROJECTION
USA

DYTRAN MASTER COPY
INSTRUMENTS, INC. Chatsworth, CA

TITLE: **OUTLINE/INSTALLATION
DRAWING, ISOLATION MTG BASE,
ADHESIVE, MODEL 69072**

SIZE B	CAGE CODE 2W033	DWG NO 127-69072	REV A
------------------	---------------------------	----------------------------	-----------------

SCALE: 2:1 SHEET 1 OF 1

A

A