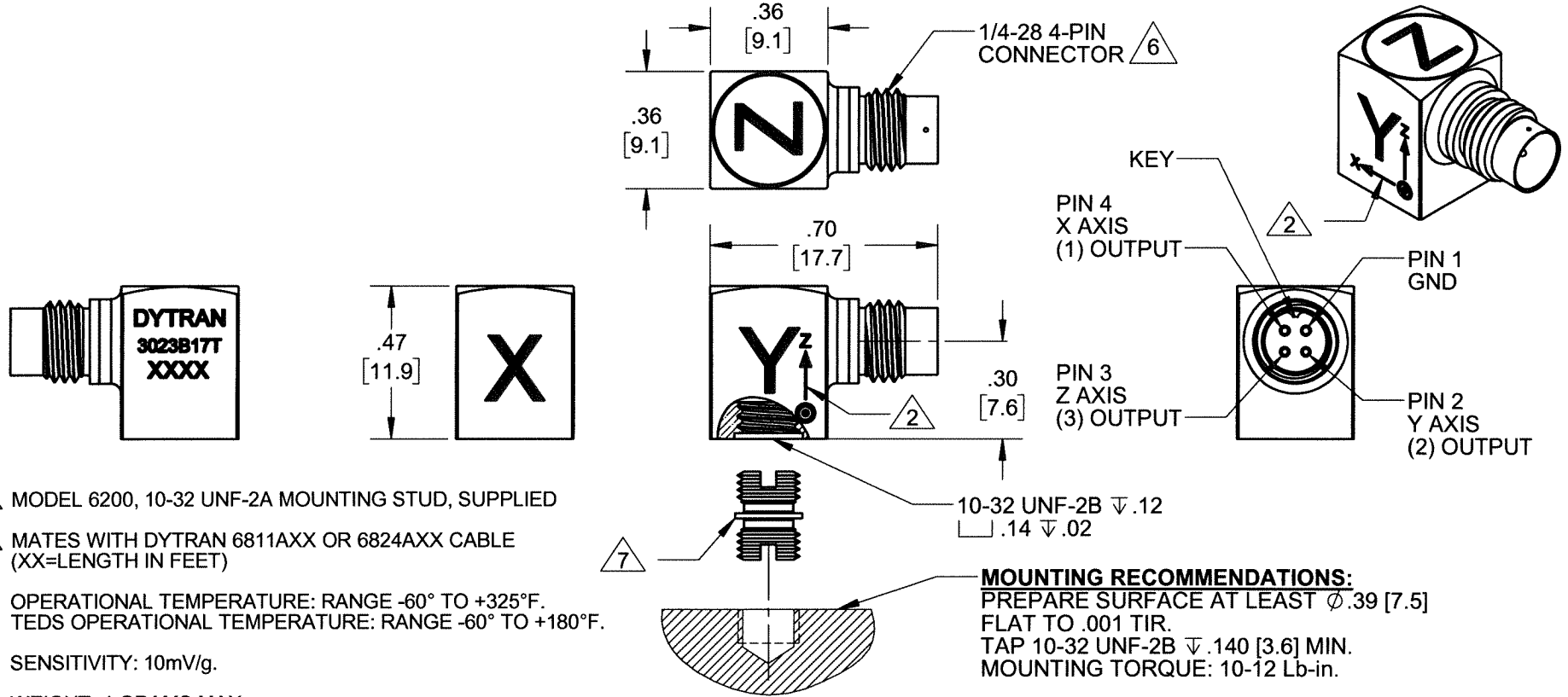


PROPRIETARY AND CONFIDENTIAL

THE INFORMATION CONTAINED IN THIS DRAWING IS THE SOLE PROPERTY OF DYTRAN INSTRUMENTS INC. ANY REPRODUCTION IN PART OR AS A WHOLE WITHOUT THE WRITTEN PERMISSION OF DYTRAN INSTRUMENTS INC. IS PROHIBITED

REVISIONS

REV	ECN	DESCRIPTION	BY/DATE	CHK	APPR
A	14197	INITIAL RELEASE	NDC 05/02/18	lw	EM



- 7 MODEL 6200, 10-32 UNF-2A MOUNTING STUD, SUPPLIED
- 6 MATES WITH DYTRAN 6811AXX OR 6824AXX CABLE (XX=LENGTH IN FEET)
- 5. OPERATIONAL TEMPERATURE: RANGE -60° TO +325°F. TEDS OPERATIONAL TEMPERATURE: RANGE -60° TO +180°F.
- 4. SENSITIVITY: 10mV/g.
- 3. WEIGHT: 4 GRAMS MAX.
- 2 ARROWS INDICATE ACCELERATION DIRECTION FOR POSITIVE OUTPUT

**MOUNTING RECOMMENDATIONS:**  
 PREPARE SURFACE AT LEAST  $\phi .39 [7.5]$  FLAT TO .001 TIR.  
 TAP 10-32 UNF-2B  $\nabla .140 [3.6]$  MIN.  
 MOUNTING TORQUE: 10-12 Lb-in.

1. MATERIAL: TITANIUM ALLOY  
 NOTES: UNLESS OTHERWISE SPECIFIED.

UNLESS OTHERWISE SPECIFIED: INTERPRET DIM & TOL PER ASME Y14.5M - 1994. REMOVE BURRS. COUNTERSINK INTERNAL THDS 90° TO MAJOR DIA. CHAM EXT THDS 45° TO MINOR DIA. THD LENGTHS AND DEPTHS ARE FOR MIN FULL THDS. THDS PER MIL-S-7742. DIMENSIONS APPLY AFTER FINISHING.		UNLESS OTHERWISE SPECIFIED: DIMENSIONS ARE IN INCHES. DIMENSIONS IN BRACKETS [ ] ARE IN MILLIMETERS TOLERANCES ARE: INCHES    METRIC    ANGLES .XX ± .03    X ± 0.8    ± 1° .XXX ± .010    .XX ± 0.25	
USED ON	NEXT ASSY	MATERIAL	FINISH
APPLICATION		DO NOT SCALE DRAWING	
THIRD ANGLE PROJECTION USA		ALL MACHINED SURFACES. TOTAL RUNOUT WITHIN .005. BREAK SHARP EDGES .005 TO .010. MACHINED FILLET RADII .005 TO .015. WELDING SYMBOLS PER AWS A2.4. ABBREVIATIONS PER MIL-STD-12.	

CONTRACT NO.		
APPROVALS		DATE
ORIG	NDC	05/02/18
CHK	lw	5/3/18
APP	EM	5/14/18
APP		

**DYTRAN MASTER**  
 INSTRUMENTS, INC. Chatsworth, CA  
 ONLY IN RED

TITLE: **OUTLINE/INSTALLATION DRAWING, MODEL 3023B17T**

SIZE	CAGE CODE	DWG. NO.	REV
<b>A</b>	<b>2W033</b>	<b>127-3023B17T</b>	<b>A</b>
SCALE: NONE	SOLIDWORKS	SHEET 1 OF 1	

<b>MODEL NUMBER</b> <b>3023B17T</b>	<b>PERFORMANCE SPECIFICATION</b>	<b>DOC NO.</b> <b>PS3023B17T</b>
	<b>ACCELEROMETER, TRIAXIAL, IEPE</b>	REV A, ECN 14197, 05/03/18



- HIGH TEMPERATURE
- HERMETICALLY SEALED
- MINIATURE SIZE
- TEDS FEATURE
- ELECTRICALLY FILTERED

**PHYSICAL**

Weight, Max.  
Mounting  
Connector [1]  
Material, Housing / Connector

ENGLISH		SI
0.14	oz	4.0
10-32 Tapped Hole		10-32 Tapped Hole
4-pin		4-pin
Titanium		Titanium

**PERFORMANCE**

Sensitivity, -10% / +15% [2]  
Range F.S. (each axis)  
Frequency Response ± 10%  
Electrical Filter  
Element Natural Frequency  
Equivalent Electrical Noise  
Spectral Noise  
Linearity [3]  
Transverse Sensitivity, Max.  
Signal Polarity

	ENGLISH		SI	
Sensitivity	10	mV/g	1	mV/m/s <sup>2</sup>
Range	±500	g	±4905	m/s <sup>2</sup>
Frequency Response	1.7 to 4000	Hz	1.7 to 4000	Hz
Electrical Filter	One pole Low-Pass, 16kHz		One pole Low-Pass, 16kHz	
Element Natural Frequency	>25	kHz	>25	kHz
Equivalent Electrical Noise	0.007	Grms	0.069	m/s <sup>2</sup> rms
Spectral Noise	0.003	Grms/v(Hz)	0.029	m/s <sup>2</sup> rms/v(Hz)
	0.001	Grms/v(Hz)	0.010	m/s <sup>2</sup> rms/v(Hz)
	0.0002	Grms/v(Hz)	0.0020	m/s <sup>2</sup> rms/v(Hz)
	0.00005	Grms/v(Hz)	0.00049	m/s <sup>2</sup> rms/v(Hz)
	0.00004	Grms/v(Hz)	0.00039	m/s <sup>2</sup> rms/v(Hz)
Linearity	±1	% F.S.	±1	% F.S.
Transverse Sensitivity	6	%	6	%
Signal Polarity	[5]		[5]	

**ELECTRICAL**

Supply Current Range [4]  
Compliance Voltage Range  
Output Impedance, Typ.  
Output Bias Voltage  
Discharge Time Constant  
Magnetic Sens. at 100 Gauss  
Ground Isolation

	ENGLISH		SI	
Supply Current Range	2 to 20	mA	2 to 20	mA
Compliance Voltage Range	+18 to +30	VDC	+18 to +30	VDC
Output Impedance, Typ.	100	Ω	100	Ω
Output Bias Voltage	7 to 12	VDC	7 to 12	VDC
Discharge Time Constant	0.2 - 2.0	sec	0.2 - 2.0	sec
Magnetic Sens. at 100 Gauss	0.00005	g/Gauss	4.905	m/s <sup>2</sup> /T
Ground Isolation	Case Ground		Case Ground	

**ENVIRONMENTAL**

Maximum Shock  
Maximum Vibration  
Temperature Range  
TEDS Operating Temp.  
Environmental Seal  
TEDS

	ENGLISH		SI	
Maximum Shock	±1000	g pk	±9810	m/s <sup>2</sup>
Maximum Vibration	±600	g pk	±5886	m/s <sup>2</sup>
Temperature Range	-60 to +325	°F	-51 to +162	°C
TEDS Operating Temp.	-40 to +185	°F	-40 to +85	°C
Environmental Seal	Hermetic		Hermetic	
TEDS	IEEE 1451.4		IEEE 1451.4	

**This family also includes:**

Model	Sensitivity (mV/g)	Range (Gpeak)	Resolution (Grms)	Oper. Temp (°F)	TC

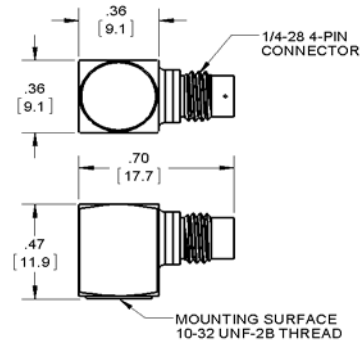
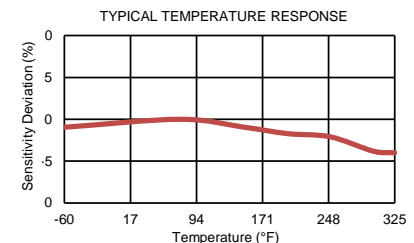
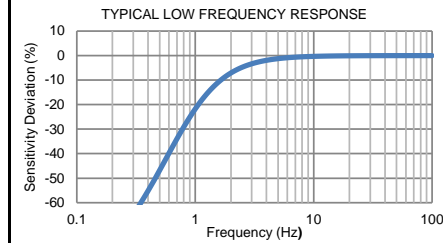
Please, refer to the performance specifications of the products in this family for detailed description

**Supplied Accessories:**

- 1) Accredited Calibration Certificate (ISO 17025)
- 2) Model 6200 Mounting Stud, Qty 1.

**Notes:**

- [1] Connector mates with Dytran's cable assy. model 6811AXX or 6824AXX. (xx = length in feet)
- [2] Measured At 100 Hz, 1 Grms per ISA RP 37.2
- [3] Measured using zero-based best straight-line method, % of F.S. or any lesser range.
- [4] Power only with Dytran IEPE power unit or other Dytran-compatible constant current type power unit. If power is applied without current limiting protection, the internal amplifier will be destroyed.
- [5] Positive for motion in direction of arrows on housing.
- [6] In the interest of constant product improvement, we reserve the right to change the specification without notice.



Units on the line drawing are in inches, units in brackets are in millimeters. Refer to 127-3023B17T for more information.



21592 Marilla Street, Chatsworth, California 91311 Phone: 818.700.7818 Fax:818.700.7880 www.dytran.com For permission to reprint this content, please contact info@dytran.com