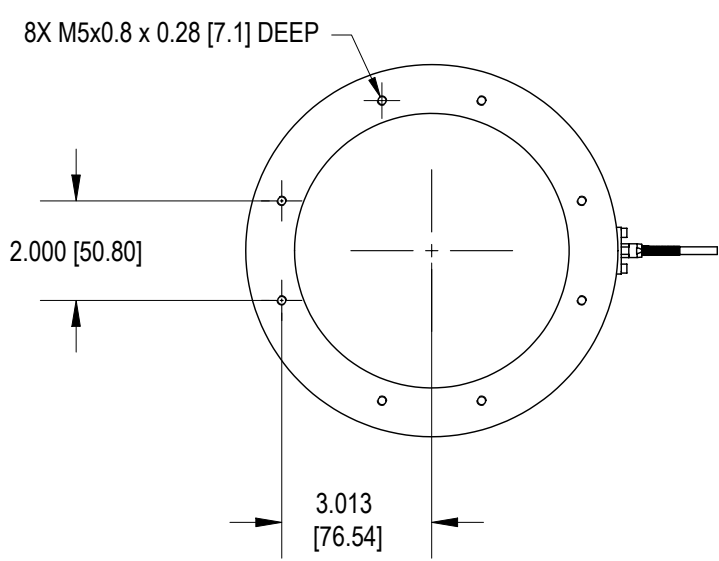
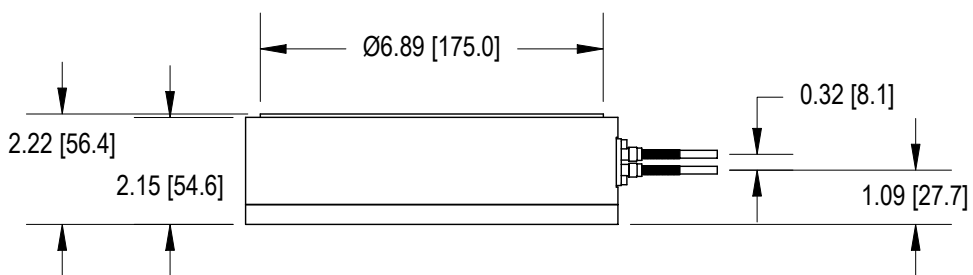
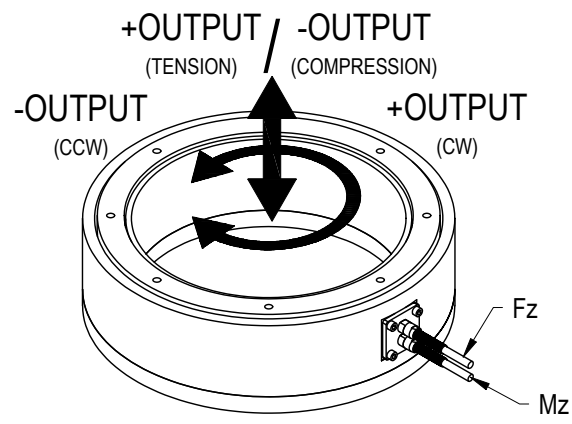
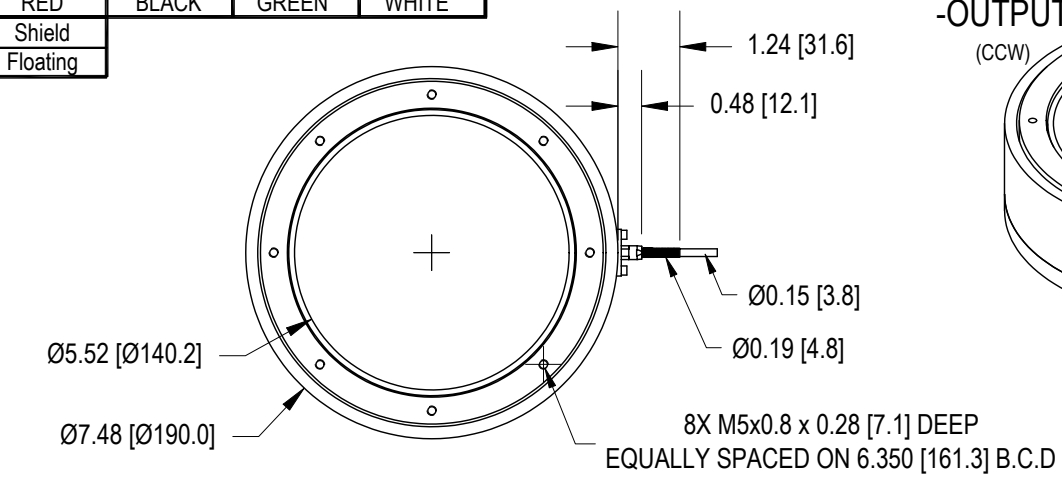


FUTEK MODEL QMA123 Custom Torque/Thrust Bi-Axial Sensor

ITEM NUMBER: QSH01319

INCH [mm]		R.O.= Rated Output	
WIRING CODE			
+Excitation	-Excitation	+Signal	-Signal
RED	BLACK	GREEN	WHITE
Shield			
Floating			



SPECIFICATIONS:

RATED OUTPUT	2 mV/V nom (Fz), 0.5 mV/V nom (Mz)
CAPACITY	2000 lb (Fz), 150 in-lb (Mz)
SAFE OVERLOAD	150% of R.O.
ZERO BALANCE	±3% of R.O.
EXCITATION (VDC OR VAC)	15 MAX
BRIDGE RESISTANCE	350/700 Ω nom
NONLINEARITY	±0.5% of R.O.
HYSTERESIS	±0.5% of R.O.
NONREPEATABILITY	0.1% of R.O.
TEMP. SHIFT ZERO	±0.01% of R.O./°F (0.018% of R.O./°C)
TEMP. SHIFT SPAN	±0.01% of LOAD/°F (0.018% of LOAD/°C)
COMPENSATED TEMP.	-65 to 160°F (-54 to 71°C)
OPERATING TEMP.	-65 to 200°F (-54 to 93°C)
WEIGHT	approx 3.3 lb
MATERIAL	Anodized Aluminum
CABLE:	24 Awg, 4 Conductor Braided Shielded Teflon Cable, 10 ft [3m] Long

CUSTOMER APPROVAL-COMPANY
CUSTOMER APPROVAL-NAME /DATE
REVISIONS: (Refer to dwg # revision sheet)
△ -

OUTLINE DRAWING

STANDARD NOTES: (Unless Otherwise Specified)

- ALL DIMENSIONS ARE IN INCHES
- DRAWING INTERPRETATION DIMS. PER ASME-Y14.5M
- REMOVE BURRS AND BREAK SHARP EDGES .005 - .015
- THREADS PER HANDBOOK H-28
- DIMENSIONS ARE SHOWN AFTER PLATING

ANGLE: ±1/2°
 CHAMFER: ±5°
 TOLERANCE: .X ±0.1
 .XX ±0.01
 .XXX ±0.005

3rd ANGLE PROJ.

This drawing is submitted solely for the information and exclusive use of the original addressee. It is not to be divulged in whole or in part, by any firm or individual without written permission from:

FUTEK

ADVANCED SENSOR TECHNOLOGY, INC.
 10 THOMAS
 IRVINE, CA 92618 USA
 Phone: (949) 465-0900
 Fax: (949) 465-0905

CAGE: 1X8M6	MODEL: QMA123
DRAWN BY: R. WALKER	DWG No.: FO1253
APPROVED BY: -	CHECKED BY: J. VARGAS
	DATE: Sept. 28, 2009