

PROPRIETARY AND CONFIDENTIAL

THE INFORMATION CONTAINED IN THIS DRAWING IS THE SOLE PROPERTY OF DYTRAN INSTRUMENTS INC. ANY REPRODUCTION IN PART OR AS A WHOLE WITHOUT THE WRITTEN PERMISSION OF DYTRAN INSTRUMENTS INC. IS PROHIBITED

REVISIONS

REV.	ECN	DESCRIPTION	BY/DATE	CHK	APPR
X1		PRELIMINARY RELEASE	NDC 12/28/17	lw	

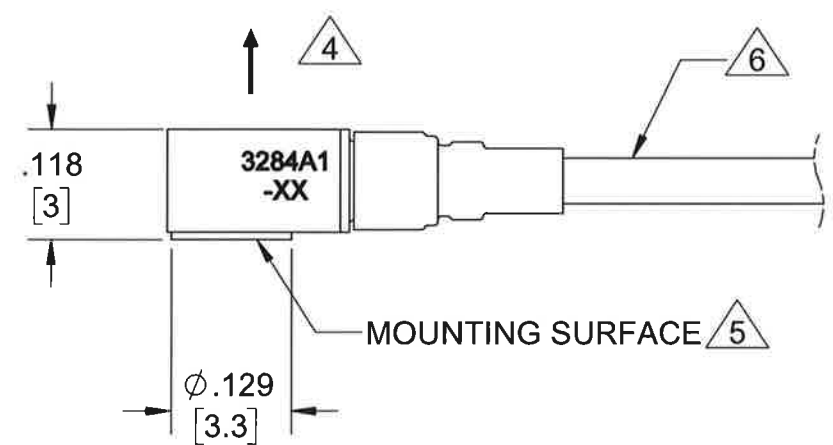
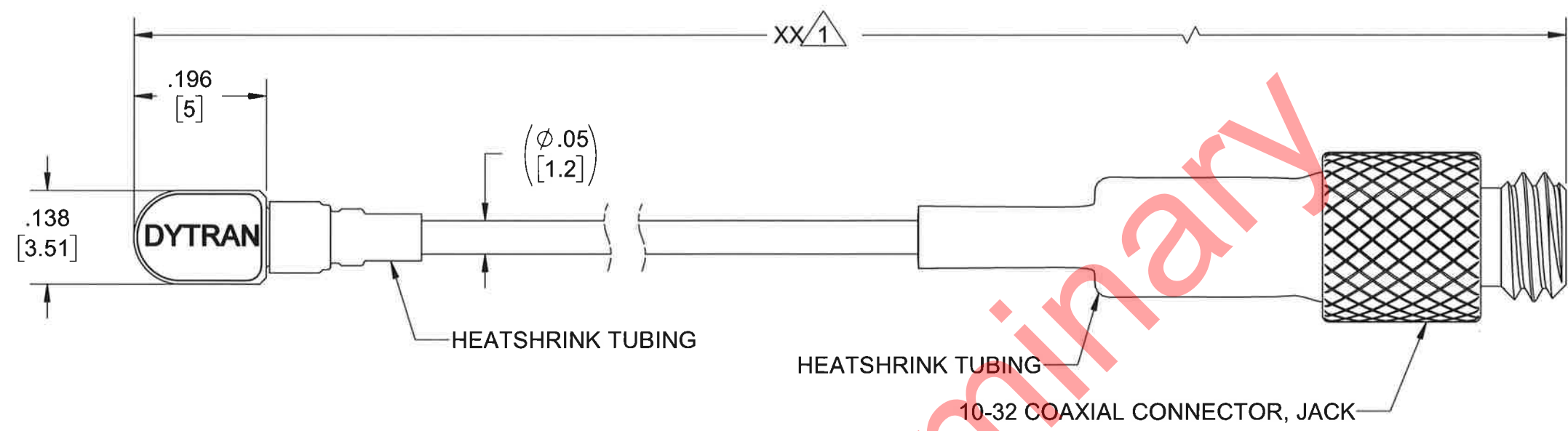
1 CABLE LENGTH TOLERANCE

≤1FT	+1/ -0 IN
>1 FT - 5 FT	+2/ -0 IN
> 5 FT - 10 FT	+4/ -0 IN
>10 FT - 25FT	+6 / -0 IN
>25 FT	+5% / -0%

Signature: _____

Print Name: _____

Date: _____



6 2 CONDUCTOR, SHIELDED CABLE	
WIRE	(2) 36AWG, 7X44 STRANDS, SILVER PLATED SOFT COPPER
WIRE INSULATION #1	PFA EXTRUDED, RED, .0021" WALL THICKNESS, GRAPHO-COATED
WIRE INSULATION #2	PFA EXTRUDED, WHITE, .0021" WALL THICKNESS, GRAPHO-COATED
SHIELDING	44AWG SILVER PLATED SOFT COPPER BRAID WIRES
JACKET	SILICONE, .010" WALL NOMINAL, COLOR-WHITE
DIAMETER	$\phi .049$ " NOMINAL
TEMP	-60°C TO +200°C
VOLTAGE	150 VOLTS

- 6 SEE CABLE SPECIFICATIONS TABLE.
- 5 APPLY ADHESIVE TO THIS SURFACE TO MOUNT.
- 4 ARROW INDICATES DIRECTION OF ACCELERATION FOR POSITIVE OUTPUT.
- 3. MASS (LESS CABLE): 0.2 GRAMS
- 2. CASE MATERIAL: TITANIUM.
- 1 MODEL NUMBER: 3284A1-XX. "XX" DENOTES CABLE LENGTH IN FEET.

NOTES: UNLESS OTHERWISE SPECIFIED

UNLESS OTHERWISE SPECIFIED: INTERPRET DIM & TOL PER ASME Y14.5M - 1994. REMOVE BURRS. COUNTERSINK INTERNAL THDS 90° TO MAJOR DIA. CHAM EXT THDS 45° TO MINOR DIA. THD LENGTHS AND DEPTHS ARE FOR MIN FULL THDS. DIMENSIONS APPLY AFTER FINISHING.

UNLESS OTHERWISE SPECIFIED: DIMENSIONS ARE IN INCHES. DIMENSIONS IN BRACKETS [] ARE IN MILLIMETERS TOLERANCES ARE:

DECIMALS	METRIC	ANGLES
.XX ±.03	.X ± 0.8	±1°
.XXX ±.010	.XX ±0.25	

APPROVALS: ORIG NDC 12/28/17, CHK lw 1/3/18, APP

DO NOT SCALE DRAWING

THIRD ANGLE PROJECTION USA

DYTRAN INSTRUMENTS, INC. Chatsworth, CA

TITLE: **OUTLINE/INSTALLATION DRAWING, MODEL 3284A1-XX**

SIZE B	CAGE CODE 2W033	DWG NO 127-3284A1-XX	REV X1
---------------	------------------------	-----------------------------	---------------

SCALE: 2:1 SHEET 1 OF 1

MODEL NUMBER 3284A1-XX	PERFORMANCE SPECIFICATION	DOC NO. PS3284A1-XX
	IEPE ACCELEROMETER	REV X1, ECN -, 01/03/18



- MINIATURE SIZE
- FLEXIBLE INTEGRAL CABLE
- ULTRA HIGH RANGE

PHYSICAL

	ENGLISH		SI	
Weight, Less Cable	0.007	oz	0.2	grams
Mounting Provision	[1]		[1]	
Connector [2]	Integral cable		Integral cable	
Case Material	Titanium		Titanium	
Sensing Element	Planar Shear, Quartz		Planar Shear, Quartz	

PERFORMANCE

	ENGLISH		SI	
Sensitivity [3] [4]	0.05 - 0.14	mV/g	0.005 - 0.014	mV/ m/s ²
Range F.S. For ± 5 Volts Output	35,000	g	343350	m/s ²
Frequency Response, ±10%	1.2 to 20,000	Hz	1.2 to 20,000	Hz
Resonant Frequency	>95	kHz	>95	kHz
Equivalent Electrical Noise Floor	3	g rms	29.4	m/s ² rms
Amplitude Non-Linearity [5]	±1	%F.S	±1	%F.S
Transverse Sensitivity, Max.	5	%	5	%
Strain Sensitivity @250µε	0.14	g/µε	1.37	m/s ² /µε

ENVIRONMENTAL

	ENGLISH		SI	
Maximum Vibration	50,000	grms	490500	m/s ² rms
Maximum Shock	40,000	±gpk	392400	± m/s ² pk
Temperature Range	-60 to +300	°F	-51 to 149	°C
Seal	Welded, Epoxy sealed Cable		Welded, Epoxy sealed Cable	
Magnetic Sensitivity at 100 Gauss	0.000009	g/Gauss	0.8829	m/s ² /T

ELECTRICAL

	ENGLISH		SI	
Supply Current [6]	2 to 20	mA	2 to 20	mA
Compliance Voltage Range	18 to +30	V	18 to +30	V
Output Impedance TYP	100	Ω	100	Ω
Bias Voltage	+7 to +9	VDC	+7 to +9	VDC
Discharge Time Constant	2.0 to 4.0	sec	2.0 to 4.0	sec
Output Signal Polarity for Acceleration Toward Top Case Grounding	Positive		Positive	
	[7]		[7]	

This family also includes:

Model	Sensitivity (mV/g)	Range (Gpeak)	Resolution (Grms)	Oper. Temp(°F)	TC (sec)

Refer to the performance specifications of the products in this family for detailed description.

Supplied Accessories:

- 1) Model 6725 installation removal wrench.
- 2) Sample of " Small Petro Mounting Wax".
- 3) Accredited calibration certificate (ISO 17025)

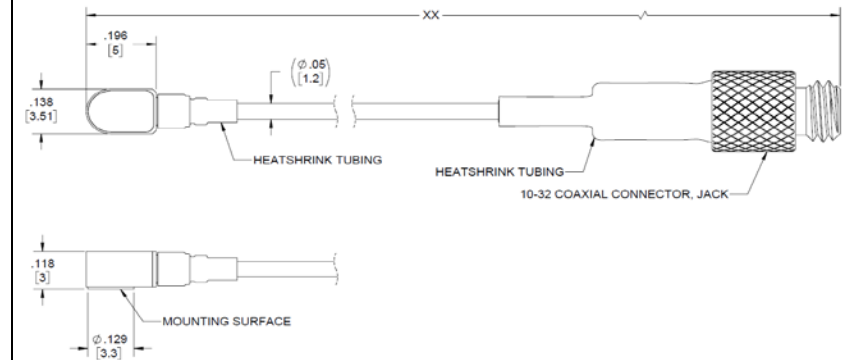
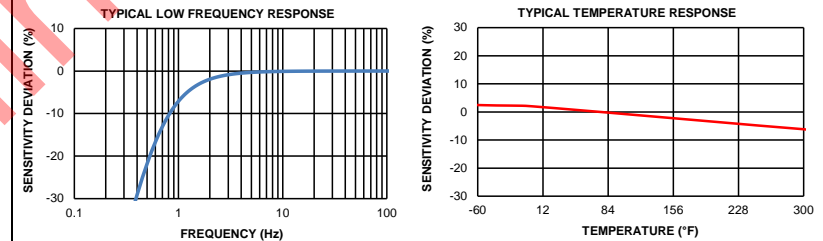
Notes:

- [1] Flat mounting surface for adhesive mount.
- [2] 10-32 Jack at end of integral 3FT.cable
- [3] Measured at 100 Hz, 1 g rms per ISA RP 37.2.
- [4] Actual sensitivity is given on a calibration certificate traceable to ISO 17025, supplied with each instrument
- [5] Measured using zero-based best straight-line method.
- [6] Do not apply power to this device without current limiting, 20 mA MAX.
- [7] Case is grounded to electrical signal/power ground.

Signature: _____

Print Name: _____

Date: _____



Units on the line drawing are in inches, units in brackets are in millimeters. Refer to 127-3284A1-XX for more information.