

PROPRIETARY AND CONFIDENTIAL

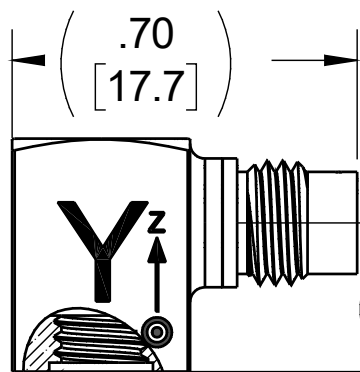
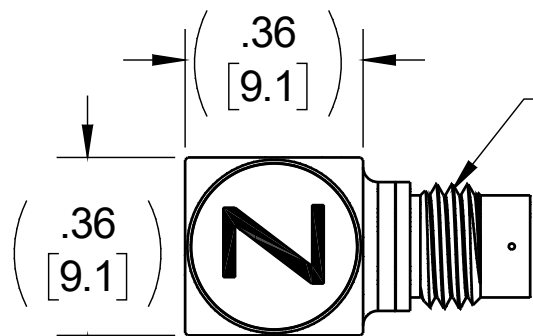
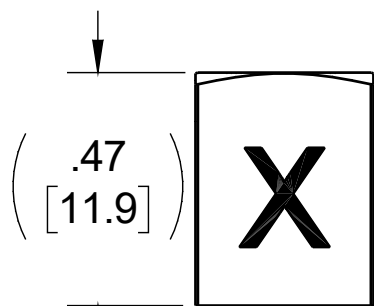
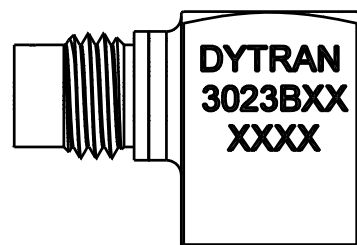
THE INFORMATION CONTAINED IN THIS DRAWING IS THE SOLE PROPERTY OF DYTRAN INSTRUMENTS INC. ANY REPRODUCTION IN PART OR AS A WHOLE WITHOUT THE WRITTEN PERMISSION OF DYTRAN INSTRUMENTS INC. IS PROHIBITED

REVISIONS

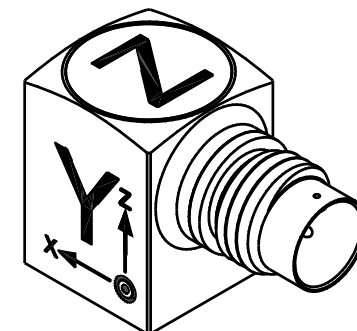
REV	ECN	DESCRIPTION	BY/DATE	CHK	APPR
B	16747	ZONE 3/B: IS: .21, WAS: .14	AS 06/01/22	JB	AM

VARIATION TABLE

MODEL NO.	SENSITIVITY	TEDS
3023B7	1 mV/g	NO
3023B8	5 mV/g	NO
3023B9	10 mV/g	NO
3023B7T	1 mV/g	YES
3023B8T	5 mV/g	YES
3023B9T	10 mV/g	YES



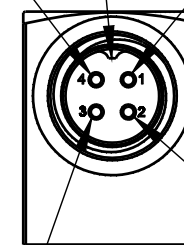
1/4-28 4-PIN CONNECTOR



PIN 4
X AXIS
(1) OUTPUT

KEY

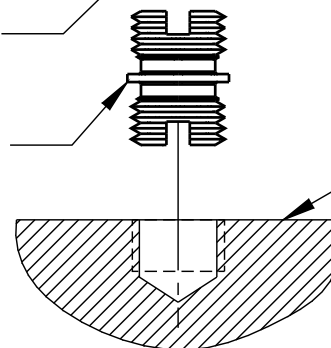
PIN 1
GND



PIN 2
Y AXIS
(2) OUTPUT

PIN 3
Z AXIS
(3) OUTPUT

10-32 UNF-2B ∇ .12
 .21 ∇ .02



MOUNTING RECOMMENDATIONS:
PREPARE SURFACE AT LEAST ϕ .39 [7.5]
FLAT TO .001 TIR.
TAP 10-32 UNF-2B ∇ .140 [3.6] MIN.
MOUNTING TORQUE: 10-12 Lb-in.

7 MODEL 6200, 10-32 UNF-2A MOUNTING STUD, SUPPLIED

6 MATES WITH DYTRAN 6811AXX OR 6824AXX CABLE
(XX=LENGTH IN FEET)

5. OPERATIONAL TEMPERATURE: RANGE -60° TO +325°F
4. SENSITIVITY: SEE CHART.
3. WEIGHT: 4 GRAMS MAX.
2. ARROWS INDICATE ACCELERATION DIRECTION FOR POSITIVE OUTPUT
1. MATERIAL: TITANIUM ALLOY

NOTES: UNLESS OTHERWISE SPECIFIED.

3023B7		UNLESS OTHERWISE SPECIFIED: INTERPRET DIM & TOL PER ASME Y14.5M - 1994. REMOVE BURRS. COUNTERSINK INTERNAL THDS 90° TO MAJOR DIA. CHAM EXT THDS 45° TO MINOR DIA. THD LENGTHS AND DEPTHS ARE FOR MIN FULL THDS. THDS PER MIL-S-7742. DIMENSIONS APPLY AFTER FINISHING.	UNLESS OTHERWISE SPECIFIED: DIMENSIONS ARE IN INCHES. DIMENSIONS IN BRACKETS [] ARE IN MILLIMETERS TOLERANCES ARE: INCHES METRIC ANGLES .XX ± .03 .X ± 0.8 ± 1° .XXX ± .010 .XX ± 0.25
3023B8			
3023B9			
3023B7T			
3023B8T			
3023B9T			
USED ON	NEXT ASSY	MATERIAL	FINISH
APPLICATION		DO NOT SCALE DRAWING	
THIRD ANGLE PROJECTION USA		ALL MACHINED SURFACES. TOTAL RUNOUT WITHIN .005. BREAK SHARP EDGES .005 TO .010. MACHINED FILLET RADII .005 TO .015. WELDING SYMBOLS PER AWS A2.4. ABBREVIATIONS PER MIL-STD-12.	

CONTRACT NO.



Chatsworth, CA

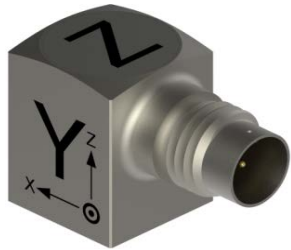
TITLE:

**OUTLINE/INSTALLATION
DRAWING, MODEL 3023B SERIES**

APPROVALS		DATE
ORIG	NDC	NDC3/11/14
CHK	EP	05/02/16
APP	RT	05/04/16
APP		

SIZE A	CAGE CODE 2W033	DWG. NO. 127-3023B7	REV B
SCALE: NONE		SOLIDWORKS	SHEET 1 OF 1

MODEL NUMBER 3023B8T	PERFORMANCE SPECIFICATION	DOC NO. PS3023B8T
	ACCELEROMETER, TRIAXIAL, IEPE	REV D, ECN 17104, 03/29/23



- HIGH TEMPERATURE
- HERMETICALLY SEALED
- MINIATURE SIZE
- TEDS FEATURE

ENGLISH		SI	
0.14	oz	4.0	grams
10-32 Tapped Hole		10-32 Tapped Hole	
4-pin		4-pin	
Titanium		Titanium	

PHYSICAL

Weight, Max.
Mounting
Connector [1]
Material, Housing / Connector

PERFORMANCE

Sensitivity, -10% / +15% [5]
Range F.S. (each axis)
Frequency Response, ±5%
, ±15%
Element Natural Frequency
Equivalent Electrical Noise
Spectral Noise
Linearity [2]
Transverse Sensitivity, Max.
Signal Polarity

5	mV/g	0.51	mV/m/s ²
±1000	g pk	±9810	m/s ² pk
2.43 to 4000	Hz	2.43 to 4000	Hz
1.29 to 10000	Hz	1.29 to 10000	Hz
25	kHz	25	kHz
0.02	g RMS	0.196	m/s ² RMS
1.25Hz	µg RMS/√(Hz)	13342	µm/s ² RMS/√(Hz)
10Hz	µg RMS/√(Hz)	13342	µm/s ² RMS/√(Hz)
100Hz	µg RMS/√(Hz)	2354	µm/s ² RMS/√(Hz)
1000Hz	µg RMS/√(Hz)	618	µm/s ² RMS/√(Hz)
10000Hz	µg RMS/√(Hz)	432	µm/s ² RMS/√(Hz)
±1	% F.S.	±1	% F.S.
6	%	6	%
[4]		[4]	

ELECTRICAL

Supply Current Range [3]
Compliance Voltage Range
Output Impedance, Typ.
Output Bias Voltage
Discharge Time Constant
Magnetic Sens. at 100 Gauss
Strain Sensitivity @ 250µε
Ground Isolation

2 to 20	mA	2 to 20	mA
+18 to +30	VDC	+18 to +30	VDC
100	Ω	100	Ω
7 to 12	VDC	7 to 12	VDC
0.2 - 2.0	Sec	0.2 - 2.0	Sec
0.00005	g/Gauss	4.905	m/s ² /T
0.008	g/µε	0.08	m/s ² /µε
Case Ground		Case Ground	

ENVIRONMENTAL

Maximum Shock
Temperature Range
TEDS Operating Temp.
Environmental Seal
TEDS

±2000	g pk	±19620	m/s ² pk
-60 to +325	°F	-51 to +162	°C
-40 to +185	°F	-40 to +85	°C
Hermetic		Hermetic	
IEEE 1451.4		IEEE 1451.4	

This family also includes:

Model	Sensitivity (mV/g)	Range (g pk)	Resolution (g RMS)	Oper. Temp (°F)	TC (Sec)
3023B7	1	5000	0.07	-60 to +325	0.2 to 2.0
3023B8	5	1000	0.014	-60 to +325	0.2 to 2.0
3023B9	10	500	0.007	-60 to +325	0.2 to 2.0
3023B7T	1	5000	0.07	-60 to +325	0.2 to 2.0
3023B9T	10	500	0.007	-60 to +325	0.2 to 2.0

Please, refer to the performance specifications of the products in this family for detailed description

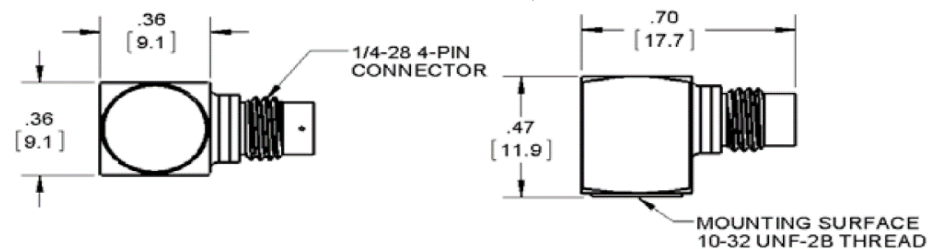
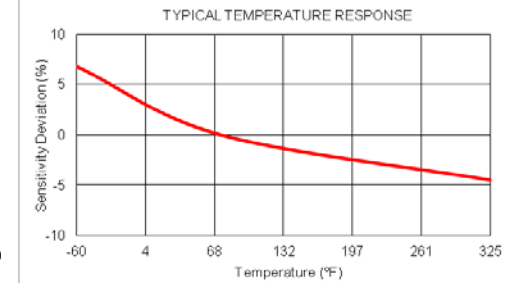
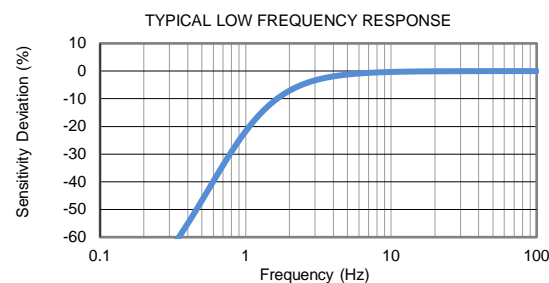
Supplied Accessories:

- 1) Accredited Calibration Certificate (ISO 17025)
- 2) Model 6200 Mounting Stud, Qty 1.

Notes:

- [1] Connector mates with Dytran's cable assy. model 6811AXX or 6824AXX. (xx = length in feet)
- [2] Measured using zero-based best straight-line method, % of F.S. or any lesser range.
- [3] Do not apply power to this system without current limiting, 20 mA MAX. To do so will destroy the IC charge amplifier.
- [4] Positive for motion in direction of arrows on housing.
- [5] All specifications are at room temperature unless otherwise specified.
- [6] In the interest of constant product improvement, we reserve the right to change specifications without notice.

It is the customer's responsibility to validate that a particular product with the properties described in the product specification is suitable for use in a particular application. Parameters provided in datasheets and / or specifications may vary in different applications and performance may vary over time. All operating parameters, including typical parameters, must be validated for each customer application by the customer's technical experts.



Units on the line drawing are in inches, units in brackets are in millimeters. Refer to 127-3023B7 for more information.

