

PROPRIETARY AND CONFIDENTIAL

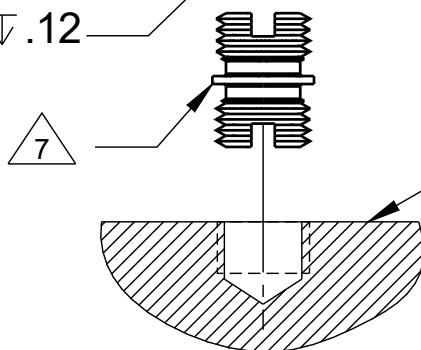
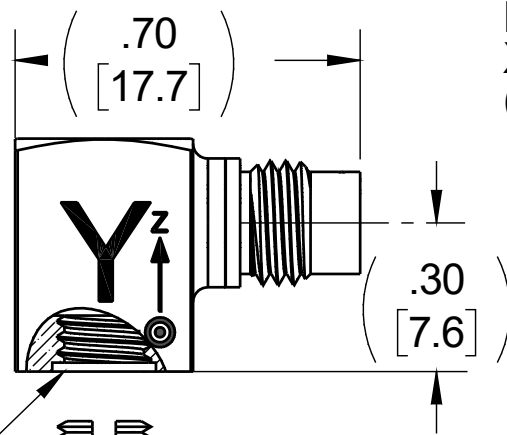
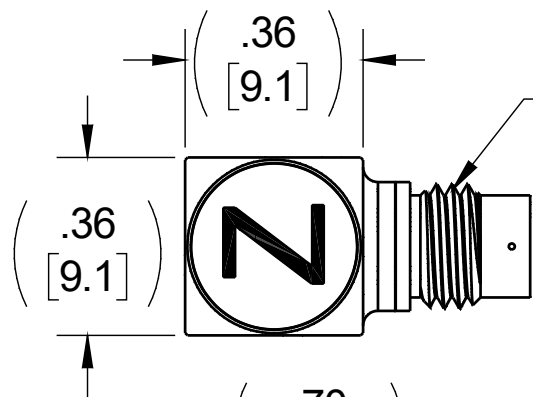
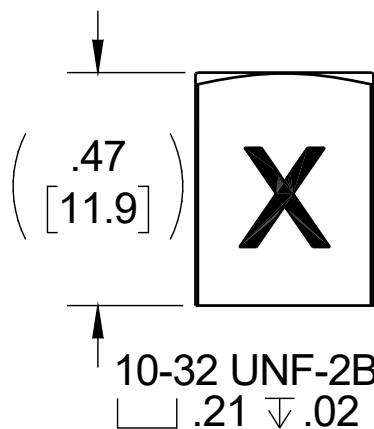
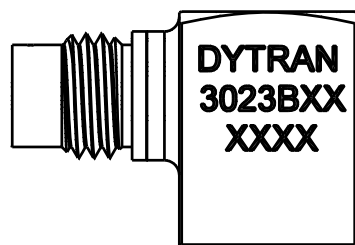
THE INFORMATION CONTAINED IN THIS DRAWING IS THE SOLE PROPERTY OF DYTRAN INSTRUMENTS INC. ANY REPRODUCTION IN PART OR AS A WHOLE WITHOUT THE WRITTEN PERMISSION OF DYTRAN INSTRUMENTS INC. IS PROHIBITED

REVISIONS

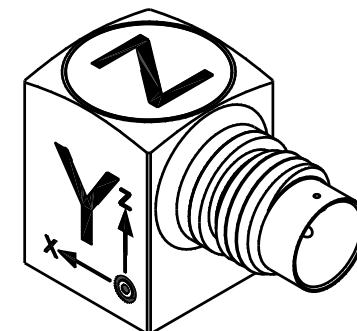
REV	ECN	DESCRIPTION	BY/DATE	CHK	APPR
B	16747	ZONE 3/B: IS: .21, WAS: .14	AS 06/01/22	JB	AM

VARIATION TABLE

MODEL NO.	SENSITIVITY	TEDS
3023B7	1 mV/g	NO
3023B8	5 mV/g	NO
3023B9	10 mV/g	NO
3023B7T	1 mV/g	YES
3023B8T	5 mV/g	YES
3023B9T	10 mV/g	YES

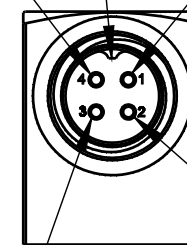


1/4-28 4-PIN CONNECTOR



PIN 4
X AXIS
(1) OUTPUT

KEY



PIN 1
GND

PIN 2
Y AXIS
(2) OUTPUT

PIN 3
Z AXIS
(3) OUTPUT

7 MODEL 6200, 10-32 UNF-2A MOUNTING STUD, SUPPLIED

6 MATES WITH DYTRAN 6811AXX OR 6824AXX CABLE (XX=LENGTH IN FEET)

5. OPERATIONAL TEMPERATURE: RANGE -60° TO +325°F
4. SENSITIVITY: SEE CHART.
3. WEIGHT: 4 GRAMS MAX.
2. ARROWS INDICATE ACCELERATION DIRECTION FOR POSITIVE OUTPUT
1. MATERIAL: TITANIUM ALLOY

MOUNTING RECOMMENDATIONS:
PREPARE SURFACE AT LEAST $\phi .39$ [7.5] FLAT TO .001 TIR.
TAP 10-32 UNF-2B $\nabla .140$ [3.6] MIN.
MOUNTING TORQUE: 10-12 Lb-in.

NOTES: UNLESS OTHERWISE SPECIFIED.

3023B7	UNLESS OTHERWISE SPECIFIED: INTERPRET DIM & TOL PER ASME Y14.5M - 1994. REMOVE BURRS. COUNTERSINK INTERNAL THDS 90° TO MAJOR DIA. CHAM EXT THDS 45° TO MINOR DIA. THD LENGTHS AND DEPTHS ARE FOR MIN FULL THDS. THDS PER MIL-S-7742. DIMENSIONS APPLY AFTER FINISHING.	UNLESS OTHERWISE SPECIFIED: DIMENSIONS ARE IN INCHES. DIMENSIONS IN BRACKETS [] ARE IN MILLIMETERS TOLERANCES ARE: INCHES METRIC ANGLES .XX ± .03 .X ± 0.8 ± 1° .XXX ± .010 .XX ± 0.25
3023B8		
3023B9		
3023B7T		
3023B8T		
3023B9T		
USED ON	NEXT ASSY	
APPLICATION		
THIRD ANGLE PROJECTION USA		
ALL MACHINED SURFACES. TOTAL RUNOUT WITHIN .005. BREAK SHARP EDGES .005 TO .010. MACHINED FILLET RADII .005 TO .015. WELDING SYMBOLS PER AWS A2.4. ABBREVIATIONS PER MIL-STD-12.		

MATERIAL
FINISH
DO NOT SCALE DRAWING

CONTRACT NO.		
APPROVALS		DATE
ORIG	NDC	NDC3/11/14
CHK	EP	05/02/16
APP	RT	05/04/16
APP		

DYTRAN INSTRUMENTS, INC. Chatsworth, CA

TITLE: **OUTLINE/INSTALLATION DRAWING, MODEL 3023B SERIES**

SIZE	CAGE CODE	DWG. NO.	REV
A	2W033	127-3023B7	B
SCALE: NONE	SOLIDWORKS	SHEET 1 OF 1	



- **HIGH TEMPERATURE**
- **HERMETICALLY SEALED**
- **MINIATURE SIZE**
- **TEDS FEATURE**

PHYSICAL
 Weight, Max.
 Mounting
 Connector [1]
 Material, Housing / Connector

ENGLISH		SI	
0.14	oz	4.0	grams
10-32 Tapped Hole		10-32 Tapped Hole	
4-pin		4-pin	
Titanium		Titanium	

PERFORMANCE
 Sensitivity, -10% / +15% [5]
 Range F.S. (each axis)
 Frequency Response, +/-5%
 , +/-15%
 Element Natural Frequency
 Equivalent Electrical Noise
 Spectral Noise
 Linearity [2]
 Transverse Sensitivity, Max.
 Signal Polarity

	ENGLISH		SI	
Sensitivity	10	mV/g	1.02	mV/m/s ²
Range F.S.	±500	g pk	±4905	m/s ² pk
Frequency Response	2.43 to 4000	Hz	2.43 to 4000	Hz
	1.29 to 10,000	Hz	1.29 to 10,000	Hz
Element Natural Frequency	25	kHz	25	kHz
Equivalent Electrical Noise	0.01	g RMS	0.098	m/s ² RMS
Spectral Noise	1.25Hz	0.006	µg RMS/√(Hz)	0.059
	10Hz	0.002	µg RMS/√(Hz)	0.0196
	100Hz	0.0004	µg RMS/√(Hz)	0.0039
	1000Hz	0.0001	µg RMS/√(Hz)	0.00098
	10000Hz	0.00008	µg RMS/√(Hz)	0.00078
Linearity	±1	% F.S.	±1	% F.S.
Transverse Sensitivity	6	%	6	%
Signal Polarity	[4]		[4]	

ELECTRICAL
 Supply Current Range [3]
 Compliance Voltage Range
 Output Impedance, Typ.
 Output Bias Voltage
 Discharge Time Constant
 Magnetic Sens. at 100 Gauss
 Ground Isolation

	ENGLISH		SI	
Supply Current Range	2 to 20	mA	2 to 20	mA
Compliance Voltage Range	+18 to +30	VDC	+18 to +30	VDC
Output Impedance, Typ.	100	Ω	100	Ω
Output Bias Voltage	7 to 12	VDC	7 to 12	VDC
Discharge Time Constant	0.2 - 2.0	sec	0.2 - 2.0	sec
Magnetic Sens. at 100 Gauss	0.00005	g/Gauss	4.905	m/s ² /T
Ground Isolation	Case Ground	g/µε	Case Ground	m/s ² /µε

ENVIRONMENTAL
 Maximum Shock
 Temperature Range
 TEDS Operating Temp.
 Environmental Seal
 TEDS

	ENGLISH		SI	
Maximum Shock	±1000	g pk	±9810	m/s ² pk
Temperature Range	-60 to +325	°F	-51 to +162	°C
TEDS Operating Temp.	-40 to +185	°F	-40 to +85	°C
Environmental Seal	Hermetic		Hermetic	
TEDS	IEEE 1451.4		IEEE 1451.4	

This family also includes:

Model	Sensitivity (mV/g)	Range (g pk)	Resolution (g RMS)	Oper. Temp (°F)	TC (Sec)
3023B7	1	5000	0.07	-60 to +325	0.2 to 2.0
3023B8	5	1000	0.014	-60 to +325	0.2 to 2.0
3023B9	10	500	0.007	-60 to +325	0.2 to 2.0
3023B7T	1	5000	0.07	-60 to +325	0.2 to 2.0
3023B8T	5	1000	0.014	-60 to +325	0.2 to 2.0

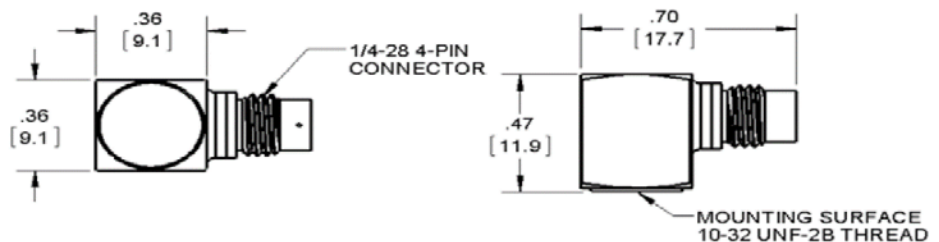
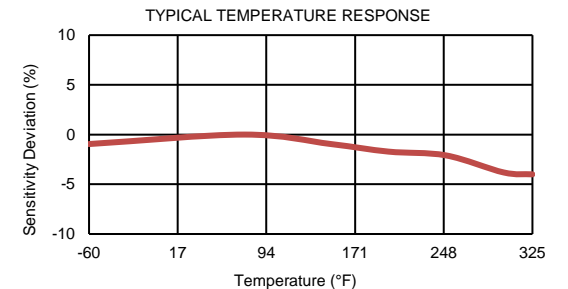
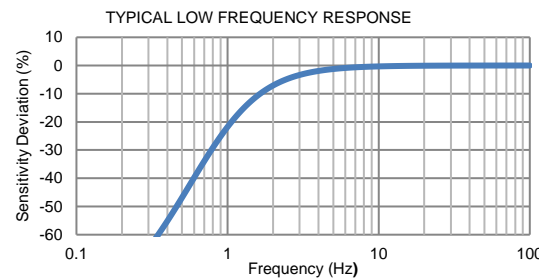
Please, refer to the performance specifications of the products in this family for detailed description

Supplied Accessories:

- 1) Accredited Calibration Certificate (ISO 17025)
- 2) Model 6200 Mounting Stud, Qty 1.

Notes:

- [1] Connector mates with Dytran's cable assy. model 6811AXX or 6824AXX. (xx = length in feet)
 - [2] Measured using zero-based best straight-line method, % of F.S. or any lesser range.
 - [3] Do not apply power to this system without current limiting, 20 mA MAX. To do so will destroy the IC charge amplifier.
 - [4] Positive for motion in direction of arrows on housing.
 - [5] All specifications are at room temperature unless otherwise specified.
 - [6] In the interest of constant product improvement, we reserve the right to change specifications without notice.
- It is the customer's responsibility to validate that a particular product with the properties described in the product specification is suitable for use in a particular application. Parameters provided in datasheets and / or specifications may vary in different applications and performance may vary over time. All operating parameters, including typical parameters, must be validated for each customer application by the customer's technical experts.



Units on the line drawing are in inches, units in brackets are in millimeters. Refer to 127-3023B7 for more information.

