

THE INFORMATION CONTAINED IN THIS DRAWING IS THE SOLE PROPERTY OF DYTRAN INSTRUMENTS INC. ANY REPRODUCTION IN PART OR AS A WHOLE WITHOUT THE WRITTEN PERMISSION OF DYTRAN INSTRUMENTS INC. IS PROHIBITED

REVISIONS					
REV.	ECN	DESCRIPTION	BY/DATE	CHK	APPR
A	13121	REDRAWN IN SOLIDWORKS	LA 11/28/16	<i>[Signature]</i>	<i>[Signature]</i>

D

D

C

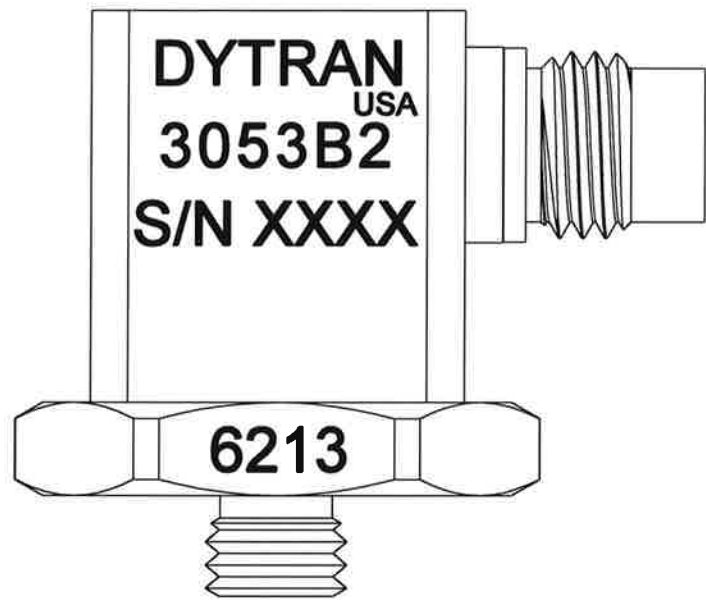
C

B

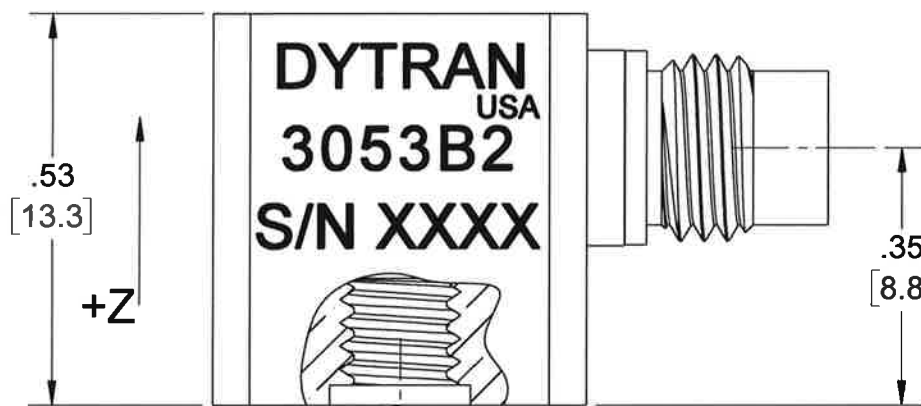
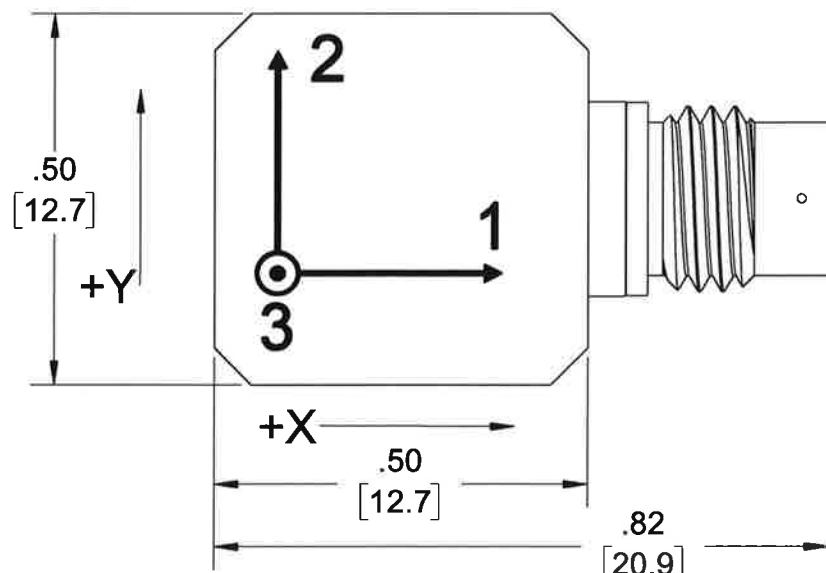
B

A

A

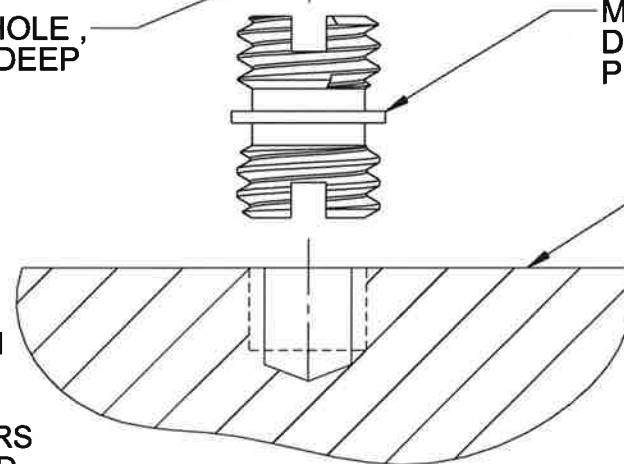


ALTERNATIVE MOUNTING METHOD USING ADHESIVE MOUNTING BASE MODEL 6213



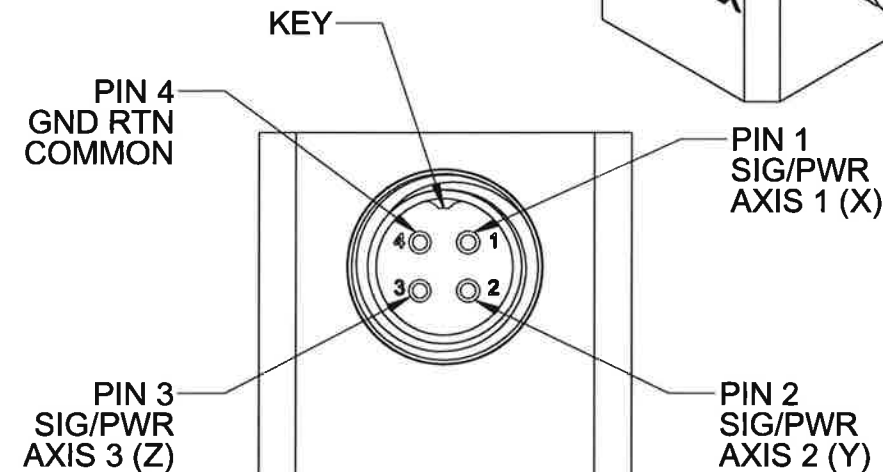
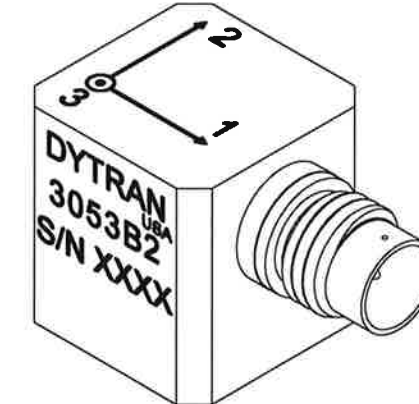
MOUNTING HOLE, 10-32 X .150 DEEP

MOUNTING STUD, DYTRAN MODEL 6200 PROVIDED



MOUNTING RECOMMENDATION: PREPARE A Ø1.25 MIN SURFACE, FLAT TO .001 TIR. TAP 10-32 UNF-2B ∇.25 MIN MOUNTING TORQUE: 15-18 Lb-in

1/4-28 UNF-2A CONNECTOR MATES WITH DYTRAN CABLE 6041AXX



- 5. MINOR VOIDS, SCARS, SCRATCHES AND MOUNTING BLEMISH / WITNESS MARKS ON EXTERNAL SURFACES ARE ALLOWED DUE TO RESTRAINING AND HANDLING DURING TESTING, TRANSPORT OR PROCESSING. THESE APPEAR AS INDICATORS THAT DO NOT AFFECT FORM, FIT, OR FUNCTION AS INTENDED BY DESIGN OF APPLICATION.
- 4. OPERATING TEMPERATURE -60°F (-51°C) TO 250°F (121°C).
- 3. ARROWS INDICATE DIRECTION OF ACCELERATION FOR POSITIVE OUTPUT.
- 2. WEIGHT: 7.5 GRAMS MAX.
- 1. MATERIAL: TITANIUM ALLOY.

NOTES: UNLESS OTHERWISE SPECIFIED

UNLESS OTHERWISE SPECIFIED: INTERPRET DIM & TOL PER ASME Y14.5M - 1994. REMOVE BURRS. COUNTERSINK INTERNAL THDS 90° TO MAJOR DIA. CHAM EXT THDS 45° TO MINOR DIA. THD LENGTHS AND DEPTHS ARE FOR MIN FULL THDS. DIMENSIONS APPLY AFTER FINISHING.		UNLESS OTHERWISE SPECIFIED: DIMENSIONS ARE IN INCHES. DIMENSIONS IN BRACKETS [] ARE IN MILLIMETERS TOLERANCES ARE:			
DECIMALS .XX ±.03 .XXX ±.010	METRIC .X ±0.8 .XX ±0.25	ANGLES ±1°			
APPROVALS		DATE		TITLE: OUTLINE/INSTALLATION DRAWING, MODEL 3053B2	
ORIG	NC	08/07/00		SIZE B CAGE CODE 2W033 DWG NO 127-3053B2 REV A	
CHK	NC	08/07/00		SCALE: 4:1 SHEET 1 OF 1	
APP	NC	08/07/00			
DO NOT SCALE DRAWING		THIRD ANGLE PROJECTION			

MODEL NUMBER 3053B2	PERFORMANCE SPECIFICATION	DOC NO. PS3053B2
--------------------------------------	----------------------------------	-----------------------------------

TRIAxIAL ACCELEROMETER, IEPE

REV E, ECN 16245, 06/29/21



- 10-32 TAPPED HOLE
- HERMETICALLY SEALED
- INTERNALLY CASE GROUND ISOLATED

PHYSICAL

Weight
Mounting Provision [1]
Connector [2]
Material
Sensing Element

ENGLISH		SI	
0.26	oz	7.5	grams
10-32 Tapped hole		10-32 Tapped hole	
4-Pin		4-Pin	
Titanium Alloy		Titanium Alloy	
Quartz		Quartz	

PERFORMANCE

Sensitivity, -10/+15% [3]
Range F.S. (each axis)
Frequency Response, ± 10%, 1 & 2 Axes
Frequency Response, ± 10% 3 Axis
Resonant Frequency
Broadband Resolution [6]
Linearity [4]
Transverse Sensitivity, Max.
Signal Polarity

10	mV/g	1.02	mV/ m/s ²
± 500	g pk	± 4900	m/s ² pk
1.1 to 4000	Hz	1.1 to 4000	Hz
1.1 to 5000	Hz	1.1 to 5000	Hz
>30	kHz	>30	kHz
0.007	g RMS	0.07	m/s ² RMS
± 1%	%F.S	± 1%	%F.S
5%		5%	
Positive for motion in direction of arrows on housing			

ENVIRONMENTAL

Maximum Shock
Temperature Range
Seal
Coefficient Of Thermal Sensitivity

± 5000	g pk	± 49000	m/s ² pk
-60 to +250	°F	-51 to 121	°C
Hermetic		Hermetic	
0.03	%/°F	0.054	%/°C

ELECTRICAL

Supply Current [5]
Compliance Voltage Range
Output Impedance Typ.
Bias Voltage
Discharge Time Constant
Ground Isolation

2 to 20	mA	2 to 20	mA
+18 to +30	V	+18 to +30	V
100	Ω	100	Ω
+7 to +9	VDC	+7 to +9	VDC
0.3 to 1.0	sec	0.3 to 1.0	sec
>10	MΩ	>10	MΩ

This family also includes:

Model	Mount	Sensitivity (mV/g)	Range (g pk)	Resolution (g RMS)	Oper. Temp (°F)	TC (sec)
3053B	Adhesive	10	500	<0.007	-60 to +250	0.3 - 1.0
3053B1	Adhesive	5	1000	<0.014	-60 to +250	0.2 - 1.2

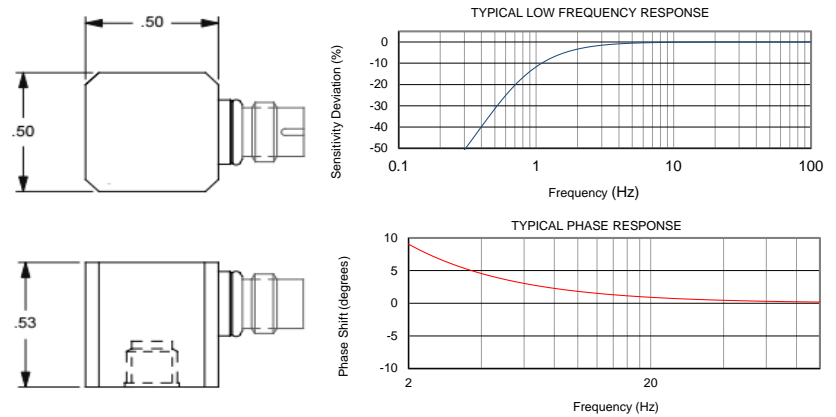
Refer to the performance specifications of the products in this family for detailed description.

Supplied Accessories

- 1) Accredited calibration certificate (ISO 17025)
- 2) Model 6200 mounting stud 10 - 32 UNF - 2A.

Notes:

- [1] Case ground isolation is achieved by internal means.
- [2] Connector mates with Dytran cable assy. Model 6430AXX. (XX = length in feet)
- [3] Reference sensitivity measured at 100 Hz, 1 g RMS per ISA RP 37.2
- [4] Linearity is % of specified full scale (or any lesser full scale range), zero-based best fit straight line method.
- [5] Do not apply power to this device without current limiting, 20mA max, to do so will destroy the integral IC amplifier
- [6] Typical. Not to exceed .010 g RMS [1.0 m/s²].
- [7] In the interest of constant product improvement, we reserve the right to change specifications without notice. It is the customer's responsibility to validate that a particular product with the properties described in the product specification is suitable for use in a particular application. Parameters provided in datasheets and / or specifications may vary in different applications and performance may vary over time. All operating parameters, including typical parameters, must be validated for each customer application by the customer's technical experts.
- [8] All specifications are at room temperature unless otherwise specified.



Units on the line drawing are in inches, units in brackets are in millimeters. Refer to 127-3053B2 for more information.



21592 Marilla Street, Chatsworth, California 91311 Phone: 818.700.7818 Fax: 818.698.0362 www.dytran.com
For permission to reprint this content, please contact info@dytran.com