

PROPRIETARY AND CONFIDENTIAL

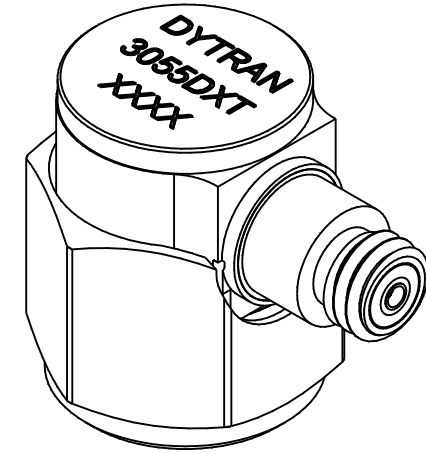
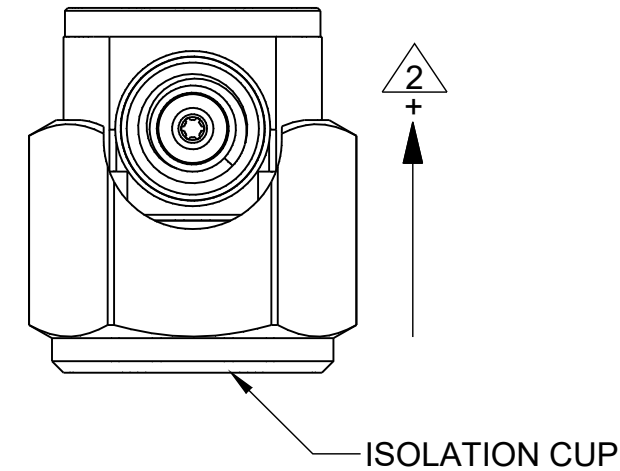
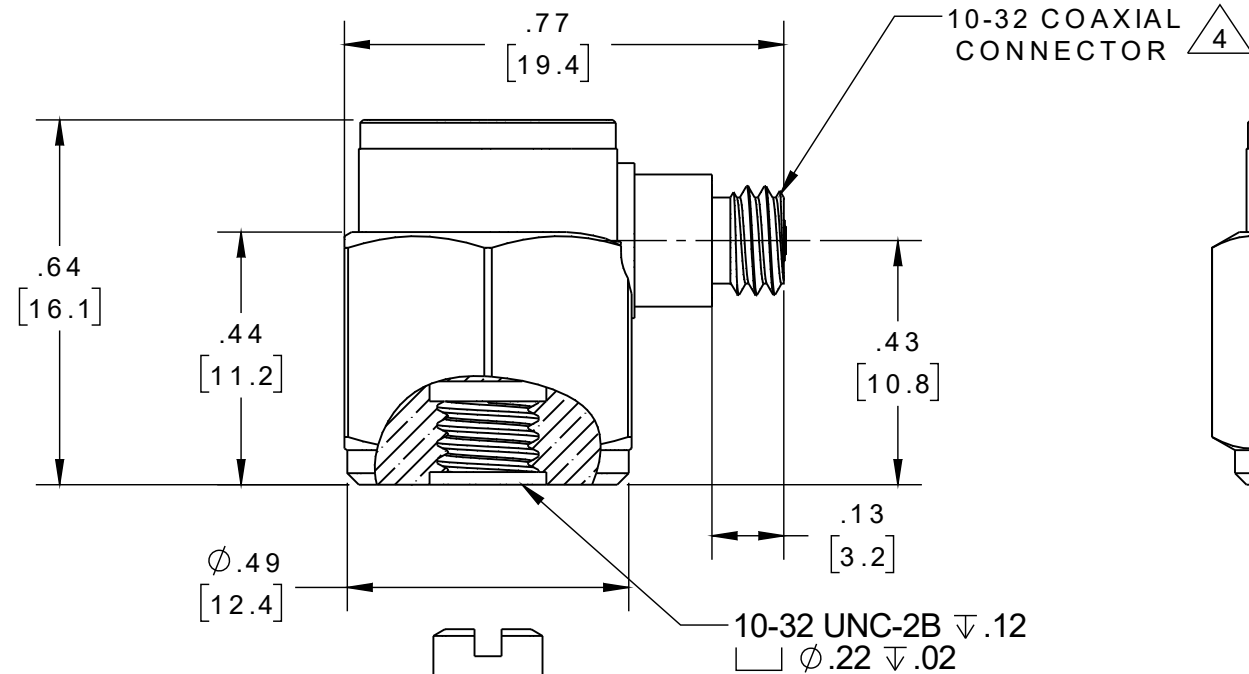
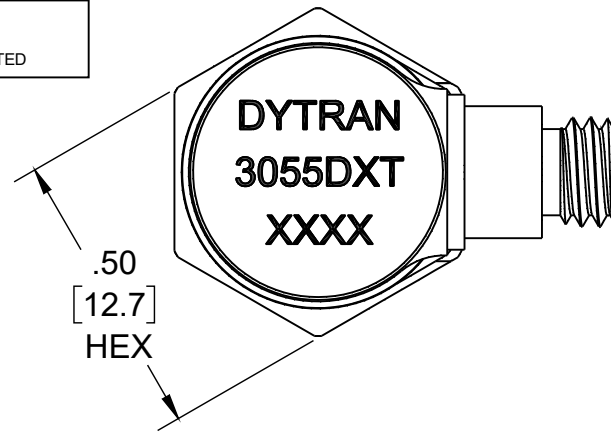
THE INFORMATION CONTAINED IN THIS DRAWING IS THE SOLE PROPERTY OF DYTRAN INSTRUMENTS INC. ANY REPRODUCTION IN PART OR AS A WHOLE WITHOUT THE WRITTEN PERMISSION OF DYTRAN INSTRUMENTS INC. IS PROHIBITED

REVISIONS

REV.	ECN	DESCRIPTION	BY/DATE	CHK	APPR
A	14614	INITIAL RELEASE. SAME AS REV X1.	KG 12/01/20	RA	DV

VARIATION TABLE

MODEL	SENSITIVITY
3055D7T	100mV/g
3055D8T	50mV/g
3055D9T	20mV/g
3055D10T	10mV/g
3055D13T	200mV/g
3055D14T	500mV/g



**MOUNTING RECOMMENDATION:**  
 PREPARE A .55 [14] X .55 [14] MIN SURFACE,  
 FLAT TO .001 TIR.  
 TAP 10-32 UNF-2B  $\nabla$ .15 [3.8] MIN.  
 MOUNTING TORQUE: 10-12 Lb-in.

5. OPERATING TEMPERATURE: -67°F TO +320°F [-55°C TO +160°C]  
 TEDS OPERATING TEMPERATURE: -40°F TO +185°F [-40°C TO +85°C]

4 MATES WITH DYTRAN 6010AXX OR 6011AXX CABLE (XX=LENGTH IS FEET).

3. WEIGHT: 10 GRAMS, MAX.

2 ARROW INDICATES ACCELERATION DIRECTION FOR POSITIVE OUTPUT.

1. MATERIAL: TITANIUM ALLOY

NOTES: UNLESS OTHERWISE SPECIFIED

UNLESS OTHERWISE SPECIFIED: INTERPRET DIM & TOL PER ASME Y14.5M - 1994. REMOVE BURRS. COUNTERSINK INTERNAL THDS 90° TO MAJOR DIA. CHAM EXT THDS 45° TO MINOR DIA. THD LENGTHS AND DEPTHS ARE FOR MIN FULL THDS. DIMENSIONS APPLY AFTER FINISHING.	UNLESS OTHERWISE SPECIFIED: DIMENSIONS ARE IN INCHES. DIMENSIONS IN BRACKETS [ ] ARE IN MILLIMETERS TOLERANCES ARE:			TITLE: <b>OUTLINE/INSTALLATION, SINGLE          AXIS ACCELEROMETER, 320F,          ISOLATED, TEDS, 3055D7T SERIES</b>		
	DECIMALS .XX ±.03 .XXX ±.010	METRIC .X ±.08 .XX ±0.25		ANGLES ±1°	APPROVALS ORIG KG CHK APP	DATE 09/21/20
	ALL MACHINED SURFACES. TOTAL RUNOUT WITHIN .005. BREAK SHARP EDGES .005 TO .010. MACHINED FILLET RADII .005 TO .015. WELDING SYMBOLS PER AWS A2.4. ABBREVIATIONS PER MIL-STD-12.	DO NOT SCALE DRAWING	THIRD ANGLE PROJECTION USA	CAGE CODE <b>2W033</b>	DWG NO <b>127-3055D7T</b>	REV
	SCALE: 3:1			SHEET 1 OF 1		

<b>Model Number</b> 3055D7T	<b>PERFORMANCE SPECIFICATIONS</b>	<b>DOC NO</b> PS3055D7T
--------------------------------	-----------------------------------	----------------------------

**IEPE ACCELEROMETER**

REV A, ECN 14614, 12/01/20



- **-67 °F TO +320°F OPERATION**
- **BASE ISOLATED**
- **IDEAL LOW FREQUENCY RESPONSE**
- **TEDS FEATURE**

	ENGLISH		SI	
Weight	0.35	oz	10	grams
Connector Type	10-32		10-32	
Mounting Provision	10-32 Tapped hole		10-32 Tapped hole	
Material, Housing/Connector	Titanium		Titanium	
Sensing Element	Ceramic		Ceramic	
Element Style	Planar Shear		Planar Shear	

**PHYSICAL**  
 Weight  
 Connector Type  
 Mounting Provision  
 Material, Housing/Connector  
 Sensing Element  
 Element Style

**PERFORMANCE**  
 Sensitivity, ± 5% [2]  
 Range for ± 5 Volts Output  
 Frequency Response, ± 5%  
 Frequency Response, ± 10%  
 Resonant Frequency  
 Broad Band Resolution  
 Linearity [3]  
 Maximum Transverse sensitivity  
 Strain Sensitivity @ 250µε

100	mV/g	10.2	mV/m/s <sup>2</sup>
±50	g pk	±491	m/s <sup>2</sup> pk
1 to 5000	Hz	1 to 5000	Hz
1 to 10000	Hz	1 to 10000	Hz
> 36	kHz	> 36	kHz
0.0004	g RMS	0.004	m/s <sup>2</sup> RMS
±1	% F.S.	±1	% F.S.
5	%	5	%
0.002	g/µε	0.02	m/s <sup>2</sup> /µε

**ENVIRONMENTAL**  
 Maximum Shock  
 Temperature Range  
 TEDS Operating Temperature Range  
 Seal

±5,000	g pk	49050	m/s <sup>2</sup> pk
-67 to +320	°F	-55 to +160	°C
-40 to +185	°F	-40 to +85	°C
Hermetic		Hermetic	

**ELECTRICAL**  
 Supply Current Range [4]  
 Compliance Voltage Range  
 Output Impedance, Typ  
 Bias Voltage  
 Discharge Time Constant  
 Electrical Isolation  
 TEDS Feature

2 to 5	mA	2 to 5	mA
+18 to +30	Volts	+18 to +30	Volts
100	Ω	100	Ω
+10 to +13	VDC	+10 to +13	VDC
0.5 to 1.5	Sec	0.5 to 1.5	Sec
10	GΩ, min	10	GΩ, min
IEEE 1451.4		IEEE 1451.4	

**This family also includes:**

Model	Sensitivity (mV/g)	Frequency Response, ±10% (Hz)	Time Constant (Sec)	Operating Temp (°F)
3055D8T	50	1 to 10000	0.5 to 1.5	-67 to +320
3055D9T	20	1 to 10000	0.5 to 1.5	-67 to +320
3055D10T	10	1 to 10000	0.5 to 1.5	-67 to +320
3055D13T	200	1 to 10000	0.5 to 1.5	-67 to +320
3055D14T	500	1 to 10000	0.5 to 1.5	-67 to +320

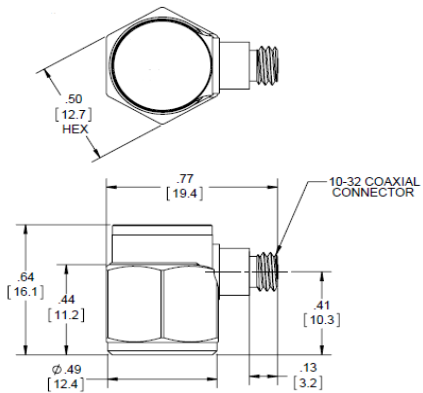
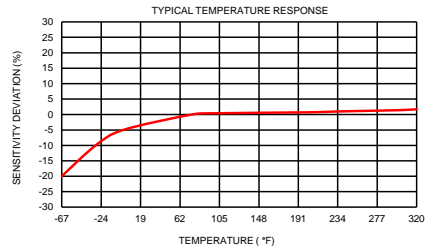
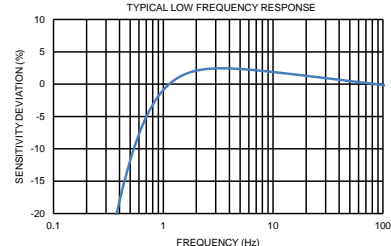
Refer to the performance specifications of the products in this family for detailed description

**Supplied Accessories:**

- 1) Accredited calibration certificate (ISO 17025)
- 2) Model 6200 mounting stud, Qty. 1

**Notes:**

- [1] All specifications are at room temperature unless otherwise specified.
- [2] Measured at 100Hz, 1 g RMS per ISA RP 37.2.
- [3] Measure using zero-based straight line method, % of F.S. or any lesser range.
- [4] Do not apply power to this system without current limiting, 5 mA MAX. To do so will destroy the IC charge amplifier.
- [5] In the interest of constant product improvement, we reserve the right to change specifications without notice. It is the customer's responsibility to validate that a particular product with the properties described in the product specification is suitable for use in a particular application. Parameters provided in datasheets and / or specifications may vary in different applications and performance may vary over time. All operating parameters, including typical parameters, must be validated for each customer application by the customer's technical experts.



Units on the line drawing are in inches, units in brackets are in millimeters. Refer to 127-3055D7T for more information.



21592 Marilla Street, Chatsworth, California 91311 Phone: 818.700.7818 Fax: 818.698.0362 www.dytran.com  
 For permission to reprint this content, please contact info@dytran.com