

PROPRIETARY AND CONFIDENTIAL

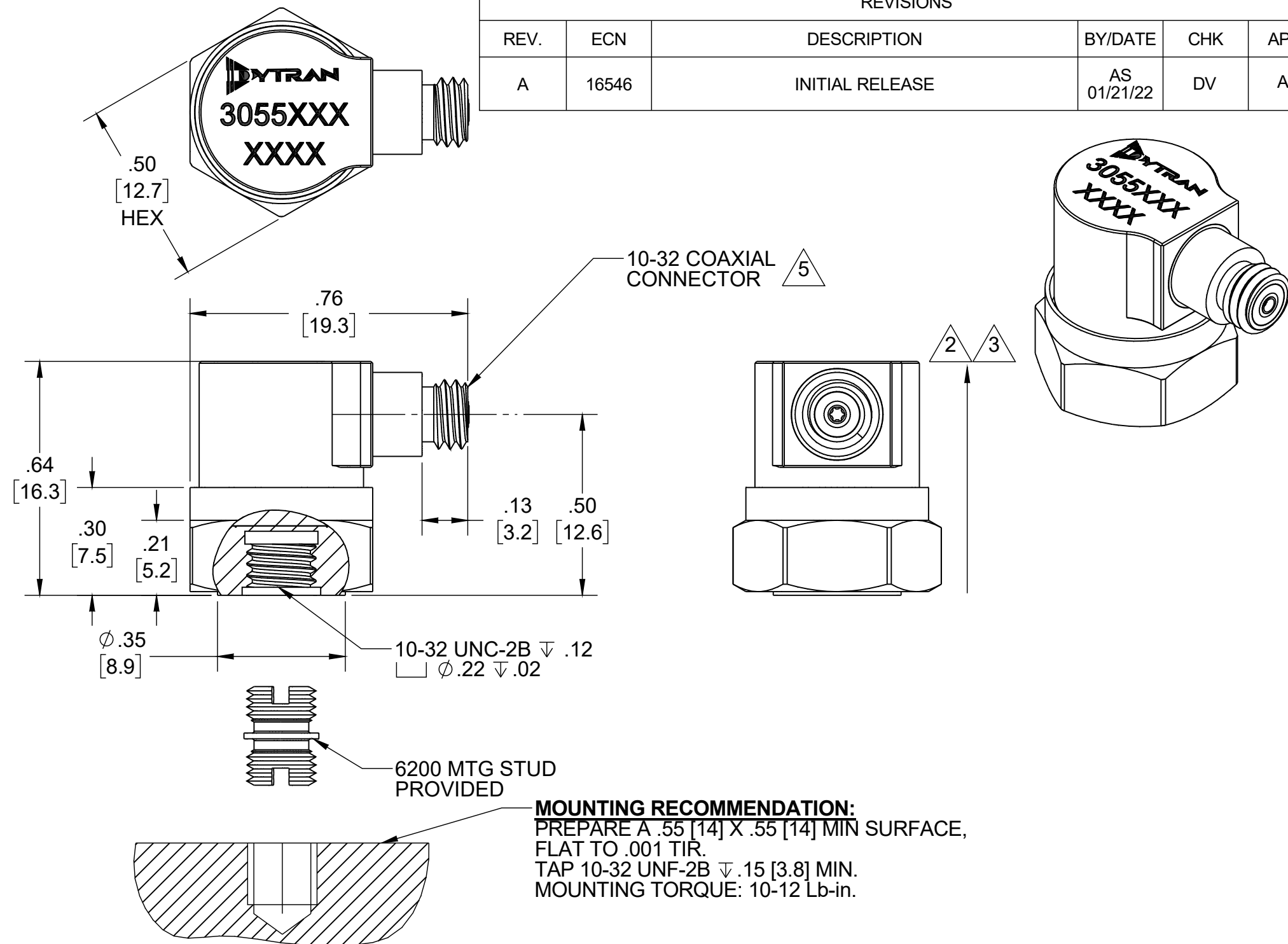
THE INFORMATION CONTAINED IN THIS DRAWING IS THE SOLE PROPERTY OF DYTRAN INSTRUMENTS INC. ANY REPRODUCTION IN PART OR AS A WHOLE WITHOUT THE WRITTEN PERMISSION OF DYTRAN INSTRUMENTS INC. IS PROHIBITED

REVISIONS

REV.	ECN	DESCRIPTION	BY/DATE	CHK	APPR
A	16546	INITIAL RELEASE	AS 01/21/22	DV	AM

VARIATION TABLE

MODEL	SENSITIVITY	TEDS	OPERATING TEMPERATURE (°F)
3055C	15 pC/g	NO	-60 TO +375
3055F2	5 mV/g	NO	-67 TO +325
3055F3	10 mV/g	NO	-67 TO +325
3055F4	20 mV/g	NO	-67 TO +325
3055F5	50 mV/g	NO	-67 TO +325
3055F6	100 mV/g	NO	-67 TO +325
3055F7	200 mV/g	NO	-67 TO +325
3055F8	500 mV/g	NO	-67 TO +325
3055F2T	5 mV/g	YES	-67 TO +325
3055F3T	10 mV/g	YES	-67 TO +325
3055F4T	20 mV/g	YES	-67 TO +325
3055F5T	50 mV/g	YES	-67 TO +325
3055F6T	100 mV/g	YES	-67 TO +325
3055F7T	200 mV/g	YES	-67 TO +325
3055F8T	500 mV/g	YES	-67 TO +325



MOUNTING RECOMMENDATION:
 PREPARE A .55 [14] X .55 [14] MIN SURFACE,
 FLAT TO .001 TIR.
 TAP 10-32 UNF-2B ∇ .15 [3.8] MIN.
 MOUNTING TORQUE: 10-12 Lb-in.

- 6 TEDS OPERATING TEMPERATURE: -40°F TO +185°F [-40°C TO +85°C]
 - 5 MATES WITH DYTRAN 6010AXX OR 6011AXX CABLE (XX = LENGTH IN FEET).
 - 4. WEIGHT: 10 GRAMS, MAX
 - 3 ARROW INDICATES ACCELERATION DIRECTION FOR POSITIVE OUTPUT.
 - 2 ARROW INDICATES ACCELERATION DIRECTION FOR NEGATIVE OUTPUT.
 - 1. MATERIAL: TITANIUM ALLOY
- NOTES: UNLESS OTHERWISE SPECIFIED

UNLESS OTHERWISE SPECIFIED: INTERPRET DIM & TOL PER ASME Y14.5M - 1994. REMOVE BURRS. COUNTERSINK INTERNAL THDS 90° TO MAJOR DIA. CHAM EXT THDS 45° TO MINOR DIA. THD LENGTHS AND DEPTHS ARE FOR MIN FULL THDS. DIMENSIONS APPLY AFTER FINISHING.		UNLESS OTHERWISE SPECIFIED: DIMENSIONS ARE IN INCHES. DIMENSIONS IN BRACKETS [] ARE IN MILLIMETERS TOLERANCES ARE: DECIMALS .XX ±.03 .XXX ±.010 METRIC .X ±0.8 .XX ±0.25 ANGLES ±1°		Chatsworth, CA	
APPROVALS		DATE		TITLE: OUTLINE/INSTALLATION DRAWING, 3055 SERIES	
ORIG	AS	01/21/22		SIZE	B
CHK	DV	03/08/22		CAGE CODE	2W033
APP	AM	03/15/22		DWG NO	127-3055
DO NOT SCALE DRAWING		THIRD ANGLE PROJECTION USA		REV	A
SCALE: 3:1				SHEET 1 OF 1	



- HIGH TEMPERATURE
- BASE ISOLATED
- IDEAL LOW FREQUENCY RESPONSE
- HERMETICALLY SEALED

PHYSICAL
 Weight
 Connector
 Mounting Provision
 Material, Housing/Connector
 Sensing Element
 Element Style

Type
Tapped Hole

ENGLISH		SI	
0.35	oz	10.0	grams
10-32		10-32	
10-32 X .150 ↓		10-32 X .150 ↓	
Titanium		Titanium	
Ceramic		Ceramic	
Planar Shear		Planar Shear	

PERFORMANCE
 Sensitivity, ±5% [2]
 Range for ± 5 Volts Output
 Frequency Response, ±5%
 Frequency Response, ±10%
 Resonant Frequency
 Broad Band Resolution
 Linearity [3]
 Maximum Transverse sensitivity
 Strain Sensitivity @ 250µε

20	mV/g	2.04	mV/m/s ²
250	g pk	2,450	m/s ² pk
1 to 5,000	Hz	1 to 5,000	Hz
1 to 10,000	Hz	1 to 10,000	Hz
> 35	kHz	> 35	kHz
0.0040	g RMS	0.0392	m/s ² RMS
± 1	% F.S.	± 1	% F.S.
5	%	5	%
0.002	g/µε	0.02	m/s ² /µε

ENVIRONMENTAL
 Maximum Shock
 Temperature Range
 Seal

1,000	g pk	9800	m/s ² pk
-67 to +325	°F	-55 to +163	°C
Hermetic		Hermetic	

ELECTRICAL
 Supply Current Range [4]
 Compliance Voltage Range
 Output Impedance, Typ
 Bias Voltage
 Discharge Time Constant
 Electrical Isolation

2 to 20	mA	2 to 20	mA
+18 to +30	Volts	+18 to +30	Volts
100	Ω	100	Ω
+9 to +14	VDC	+9 to +14	VDC
0.5 to 1.5	Sec	0.5 to 1.5	Sec
10	GΩ, min	10	GΩ, min

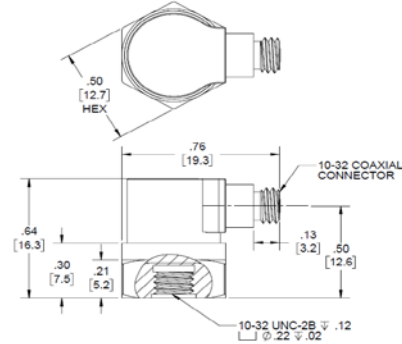
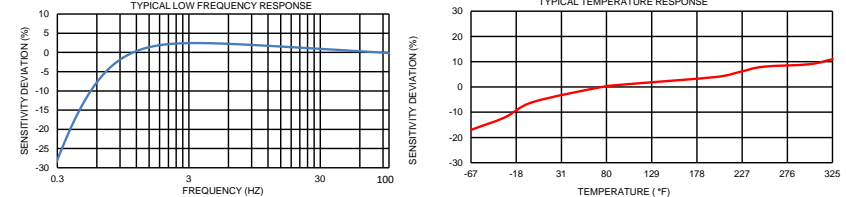
This family also includes:

Model	Sensitivity (mV/g)	Frequency Response, ±10% (Hz)	Time Constant (Sec)	Operating Temp (°F)
3055F2	5	1 to 10,000	0.5 to 1.5	-67 to +325
3055F3	10	1 to 10,000	0.5 to 1.5	-67 to +325
3055F5	50	1 to 10,000	0.5 to 1.5	-67 to +325
3055F6	100	1 to 10,000	0.5 to 1.5	-67 to +325
3055F7	200	1 to 10,000	0.5 to 1.5	-67 to +325
3055F8	500	1 to 10,000	0.5 to 1.5	-67 to +325

Refer to the performance specifications of the products in this family for detailed description

- Supplied Accessories:**
 1) Accredited calibration certificate (ISO 17025)
 2) Model 6200 Mounting Stud, QTY 1

- Notes:**
 [1] All specifications are at room temperature unless otherwise specified.
 [2] Measured at 100 Hz
 [3] Measure using zero-based straight line method, % of F.S. or any lesser range.
 [4] Do not apply power to this system without current limiting, 20 mA MAX. To do so will destroy the IC charge amplifier.
 [5] In the interest of constant product improvement, we reserve the right to change specifications without notice. □
- It is the customer's responsibility to validate that a particular product with the properties described in the product specification is suitable for use in a particular application. Parameters provided in datasheets and / or specifications may vary in different applications and performance may vary over time. All operating parameters, including typical parameters, must be validated for each customer application by the customer's technical experts.



Units on the line drawing are in inches, units in brackets are in millimeters. Refer to 127-3055 for more information.

