

PROPRIETARY AND CONFIDENTIAL

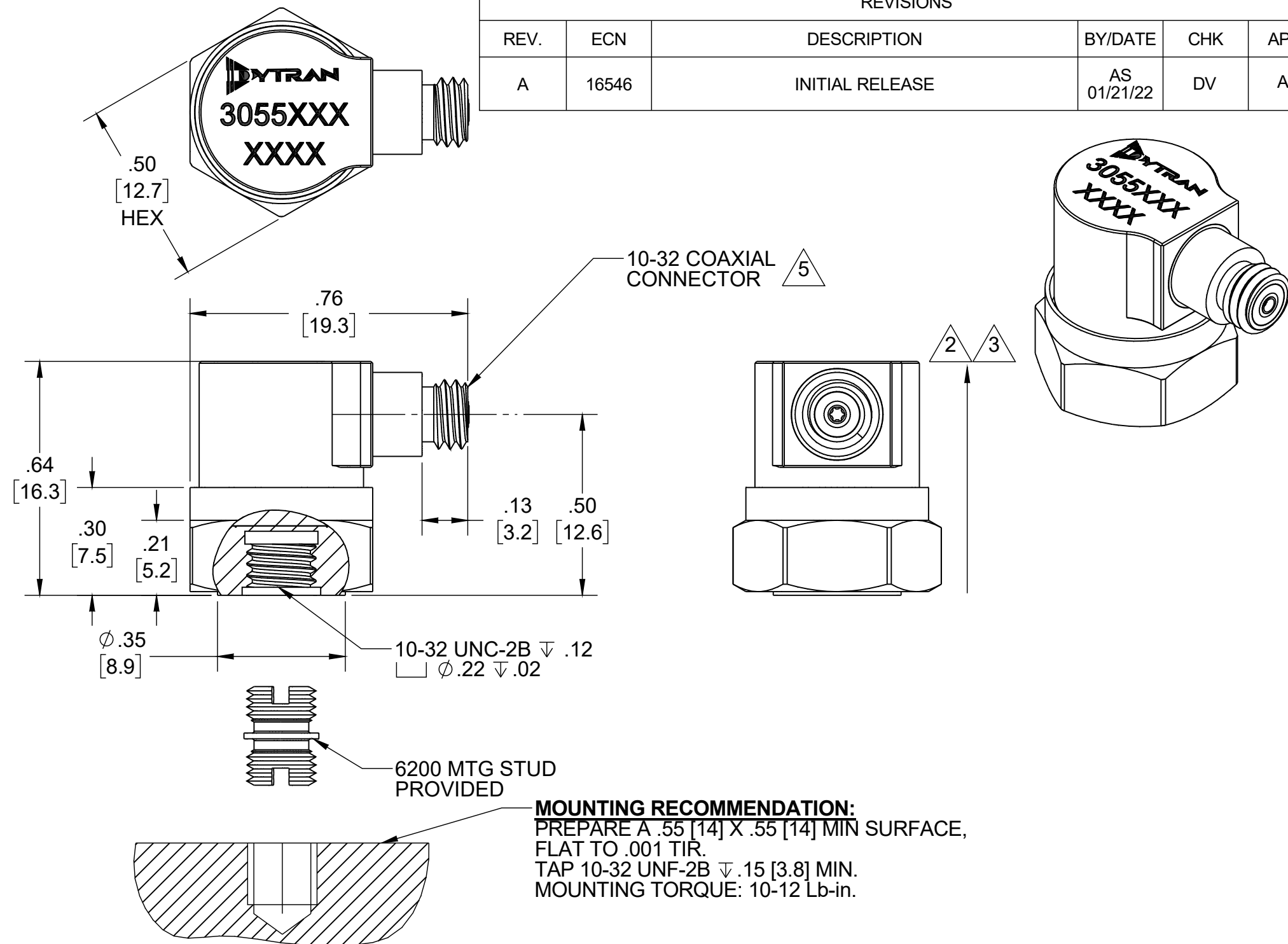
THE INFORMATION CONTAINED IN THIS DRAWING IS THE SOLE PROPERTY OF DYTRAN INSTRUMENTS INC. ANY REPRODUCTION IN PART OR AS A WHOLE WITHOUT THE WRITTEN PERMISSION OF DYTRAN INSTRUMENTS INC. IS PROHIBITED

REVISIONS

| REV. | ECN   | DESCRIPTION     | BY/DATE     | CHK | APPR |
|------|-------|-----------------|-------------|-----|------|
| A    | 16546 | INITIAL RELEASE | AS 01/21/22 | DV  | AM   |

VARIATION TABLE

| MODEL   | SENSITIVITY | TEDS | OPERATING TEMPERATURE (°F) |
|---------|-------------|------|----------------------------|
| 3055C   | 15 pC/g     | NO   | -60 TO +375                |
| 3055F2  | 5 mV/g      | NO   | -67 TO +325                |
| 3055F3  | 10 mV/g     | NO   | -67 TO +325                |
| 3055F4  | 20 mV/g     | NO   | -67 TO +325                |
| 3055F5  | 50 mV/g     | NO   | -67 TO +325                |
| 3055F6  | 100 mV/g    | NO   | -67 TO +325                |
| 3055F7  | 200 mV/g    | NO   | -67 TO +325                |
| 3055F8  | 500 mV/g    | NO   | -67 TO +325                |
| 3055F2T | 5 mV/g      | YES  | -67 TO +325                |
| 3055F3T | 10 mV/g     | YES  | -67 TO +325                |
| 3055F4T | 20 mV/g     | YES  | -67 TO +325                |
| 3055F5T | 50 mV/g     | YES  | -67 TO +325                |
| 3055F6T | 100 mV/g    | YES  | -67 TO +325                |
| 3055F7T | 200 mV/g    | YES  | -67 TO +325                |
| 3055F8T | 500 mV/g    | YES  | -67 TO +325                |



- 6 TEDS OPERATING TEMPERATURE: -40°F TO +185°F [-40°C TO +85°C]
  - 5 MATES WITH DYTRAN 6010AXX OR 6011AXX CABLE (XX = LENGTH IN FEET).
  - 4. WEIGHT: 10 GRAMS, MAX
  - 3 ARROW INDICATES ACCELERATION DIRECTION FOR POSITIVE OUTPUT.
  - 2 ARROW INDICATES ACCELERATION DIRECTION FOR NEGATIVE OUTPUT.
  - 1. MATERIAL: TITANIUM ALLOY
- NOTES: UNLESS OTHERWISE SPECIFIED

UNLESS OTHERWISE SPECIFIED:  
 INTERPRET DIM & TOL PER ASME Y14.5M - 1994.  
 REMOVE BURRS.  
 COUNTERSINK INTERNAL THDS 90° TO MAJOR DIA.  
 CHAM EXT THDS 45° TO MINOR DIA.  
 THD LENGTHS AND DEPTHS ARE FOR MIN FULL THDS.  
 DIMENSIONS APPLY AFTER FINISHING.

UNLESS OTHERWISE SPECIFIED:  
 DIMENSIONS ARE IN INCHES.  
 DIMENSIONS IN BRACKETS [ ] ARE IN MILLIMETERS TOLERANCES ARE:

| DECIMALS   | METRIC    | ANGLES |
|------------|-----------|--------|
| .XX ±.03   | .X ±0.8   | ±1°    |
| .XXX ±.010 | .XX ±0.25 |        |

APPROVALS

| ORIG | AS | DATE     |
|------|----|----------|
| CHK  | DV | 01/21/22 |
| APP  | AM | 03/08/22 |
|      |    | 03/15/22 |

DO NOT SCALE DRAWING

THIRD ANGLE PROJECTION USA

DYTRAN INSTRUMENTS, INC. Chatsworth, CA

TITLE: **OUTLINE/INSTALLATION DRAWING, 3055 SERIES**

| SIZE | CAGE CODE | DWG NO   | REV |
|------|-----------|----------|-----|
| B    | 2W033     | 127-3055 | A   |

SCALE: 3:1 SHEET 1 OF 1



- HIGH TEMPERATURE
- BASE ISOLATED
- IDEAL LOW FREQUENCY RESPONSE
- HERMETICALLY SEALED
- TEDS FEATURE

**PHYSICAL**  
 Weight  
 Connector  
 Mounting Provision  
 Material, Housing/Connector  
 Sensing Element  
 Element Style

Type  
Tapped Hole

| ENGLISH        |    | SI             |       |
|----------------|----|----------------|-------|
| 0.35           | oz | 10.0           | grams |
| 10-32          |    | 10-32          |       |
| 10-32 X .150 ↓ |    | 10-32 X .150 ↓ |       |
| Titanium       |    | Titanium       |       |
| Ceramic        |    | Ceramic        |       |
| Planar Shear   |    | Planar Shear   |       |

**PERFORMANCE**  
 Sensitivity, ±5% [2]  
 Range for ± 5 Volts Output  
 Frequency Response, ±5%  
 Frequency Response, ±10%  
 Resonant Frequency  
 Broad Band Resolution  
 Linearity [3]  
 Maximum Transverse sensitivity  
 Strain Sensitivity @ 250µε

|             |        |             |                      |
|-------------|--------|-------------|----------------------|
| 20          | mV/g   | 2.04        | mV/m/s <sup>2</sup>  |
| 250         | g pk   | 2,450       | m/s <sup>2</sup> pk  |
| 1 to 5,000  | Hz     | 1 to 5,000  | Hz                   |
| 1 to 10,000 | Hz     | 1 to 10,000 | Hz                   |
| > 35        | kHz    | > 35        | kHz                  |
| 0.0040      | g RMS  | 0.0392      | m/s <sup>2</sup> RMS |
| ± 1         | % F.S. | ± 1         | % F.S.               |
| 5           | %      | 5           | %                    |
| 0.002       | g/µε   | 0.02        | m/s <sup>2</sup> /µε |

**ENVIRONMENTAL**  
 Maximum Shock  
 Temperature Range  
 TEDS Operating Temperature Range  
 Seal

|             |      |             |                     |
|-------------|------|-------------|---------------------|
| 1,000       | g pk | 9800        | m/s <sup>2</sup> pk |
| -67 to +325 | °F   | -55 to +163 | °C                  |
| -40 to +185 | °F   | -40 to +85  | °C                  |
| Hermetic    |      | Hermetic    |                     |

**ELECTRICAL**  
 Supply Current Range [4]  
 Compliance Voltage Range  
 Output Impedance, Typ  
 Bias Voltage  
 Discharge Time Constant  
 Electrical Isolation  
 TEDS Feature

|             |         |             |         |
|-------------|---------|-------------|---------|
| 2 to 20     | mA      | 2 to 20     | mA      |
| +18 to +30  | Volts   | +18 to +30  | Volts   |
| 100         | Ω       | 100         | Ω       |
| +9 to +14   | VDC     | +9 to +14   | VDC     |
| 0.5 to 1.5  | Sec     | 0.5 to 1.5  | Sec     |
| 10          | GΩ, min | 10          | GΩ, min |
| IEEE 1451.5 |         | IEEE 1451.5 |         |

**This family also includes:**

| Model   | Sensitivity (mV/g) | Frequency Response, ±10% (Hz) | Time Constant (Sec) | Operating Temp (°F) |
|---------|--------------------|-------------------------------|---------------------|---------------------|
| 3055F2T | 5                  | 1 to 10,000                   | 0.5 to 1.5          | -67 to +325         |
| 3055F3T | 10                 | 1 to 10,000                   | 0.5 to 1.5          | -67 to +325         |
| 3055F5T | 50                 | 1 to 10,000                   | 0.5 to 1.5          | -67 to +325         |
| 3055F6T | 100                | 1 to 10,000                   | 0.5 to 1.5          | -67 to +325         |
| 3055F7T | 200                | 1 to 10,000                   | 0.5 to 1.5          | -67 to +325         |
| 3055F8T | 500                | 1 to 10,000                   | 0.5 to 1.5          | -67 to +325         |

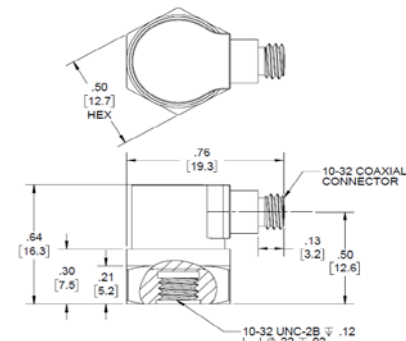
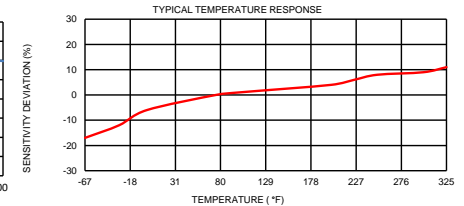
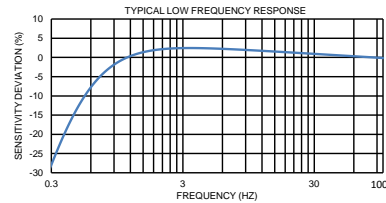
Refer to the performance specifications of the products in this family for detailed description

**Supplied Accessories:**

- 1) Accredited calibration certificate (ISO 17025)
- 2) Model 6200 Mounting Stud, QTY 1

**Notes:**

- [1] All specifications are at room temperature unless otherwise specified.
  - [2] Measured at 100 Hz
  - [3] Measure using zero-based straight line method, % of F.S. or any lesser range.
  - [4] Do not apply power to this system without current limiting, 20 mA MAX. To do so will destroy the IC charge amplifier.
  - [5] In the interest of constant product improvement, we reserve the right to change specifications without notice. □
- It is the customer's responsibility to validate that a particular product with the properties described in the product specification is suitable for use in a particular application. Parameters provided in datasheets and / or specifications may vary in different applications and performance may vary over time. All operating parameters, including typical parameters, must be validated for each customer application by the customer's technical experts.



Units on the line drawing are in inches, units in brackets are in millimeters. Refer to 127-3055 for more information.

