

PROPRIETARY AND CONFIDENTIAL

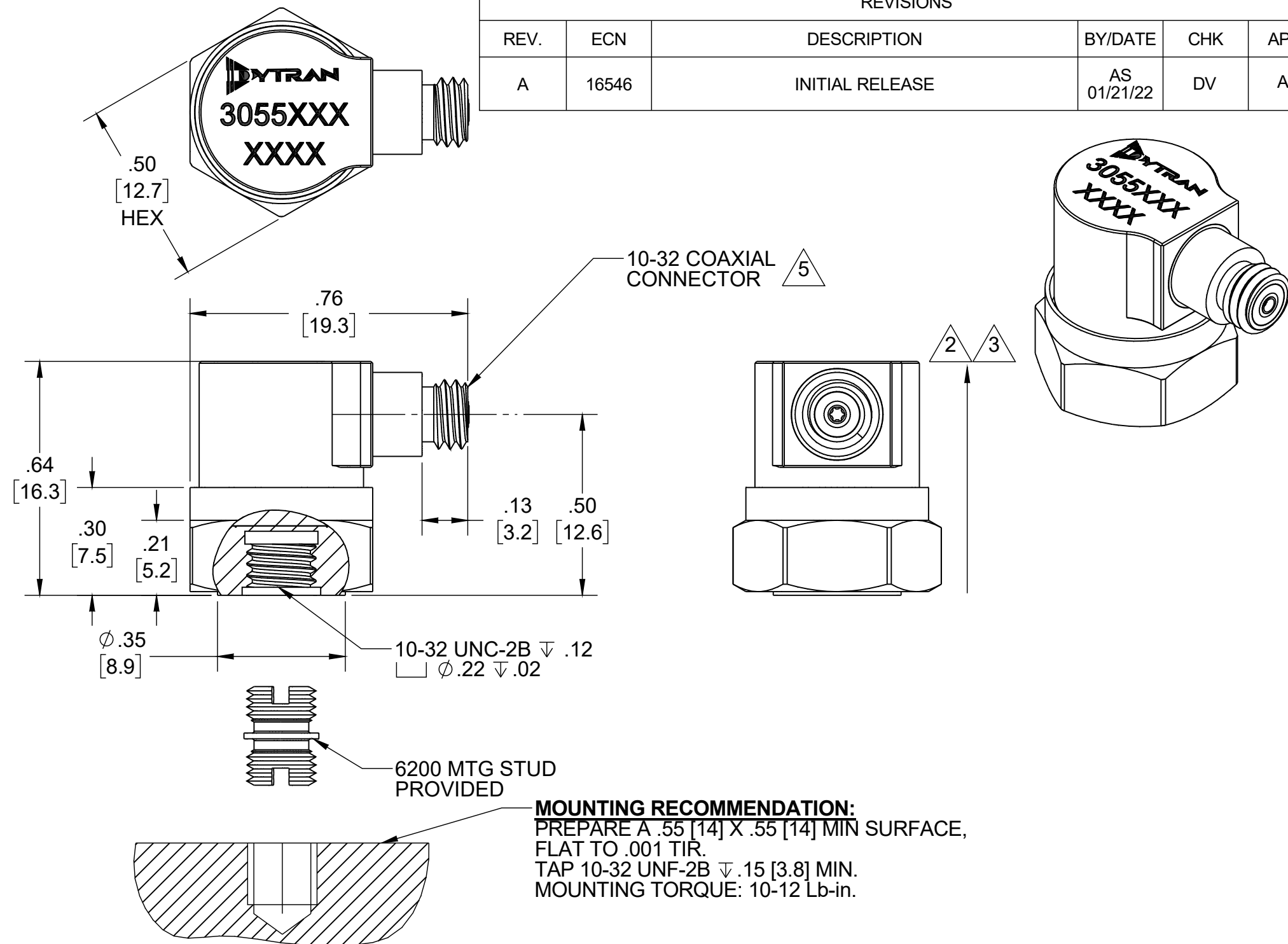
THE INFORMATION CONTAINED IN THIS DRAWING IS THE SOLE PROPERTY OF DYTRAN INSTRUMENTS INC. ANY REPRODUCTION IN PART OR AS A WHOLE WITHOUT THE WRITTEN PERMISSION OF DYTRAN INSTRUMENTS INC. IS PROHIBITED

REVISIONS

REV.	ECN	DESCRIPTION	BY/DATE	CHK	APPR
A	16546	INITIAL RELEASE	AS 01/21/22	DV	AM

VARIATION TABLE

MODEL	SENSITIVITY	TEDS	OPERATING TEMPERATURE (°F)
3055C	15 pC/g	NO	-60 TO +375
3055F2	5 mV/g	NO	-67 TO +325
3055F3	10 mV/g	NO	-67 TO +325
3055F4	20 mV/g	NO	-67 TO +325
3055F5	50 mV/g	NO	-67 TO +325
3055F6	100 mV/g	NO	-67 TO +325
3055F7	200 mV/g	NO	-67 TO +325
3055F8	500 mV/g	NO	-67 TO +325
3055F2T	5 mV/g	YES	-67 TO +325
3055F3T	10 mV/g	YES	-67 TO +325
3055F4T	20 mV/g	YES	-67 TO +325
3055F5T	50 mV/g	YES	-67 TO +325
3055F6T	100 mV/g	YES	-67 TO +325
3055F7T	200 mV/g	YES	-67 TO +325
3055F8T	500 mV/g	YES	-67 TO +325



- 6 TEDS OPERATING TEMPERATURE: -40°F TO +185°F [-40°C TO +85°C]
- 5 MATES WITH DYTRAN 6010AXX OR 6011AXX CABLE (XX = LENGTH IN FEET).
- 4. WEIGHT: 10 GRAMS, MAX
- 3 ARROW INDICATES ACCELERATION DIRECTION FOR POSITIVE OUTPUT.
- 2 ARROW INDICATES ACCELERATION DIRECTION FOR NEGATIVE OUTPUT.

1. MATERIAL: TITANIUM ALLOY  
NOTES: UNLESS OTHERWISE SPECIFIED

UNLESS OTHERWISE SPECIFIED:  
 INTERPRET DIM & TOL PER ASME Y14.5M - 1994.  
 REMOVE BURRS.  
 COUNTERSINK INTERNAL THDS 90° TO MAJOR DIA.  
 CHAM EXT THDS 45° TO MINOR DIA.  
 THD LENGTHS AND DEPTHS ARE FOR MIN FULL THDS.  
 DIMENSIONS APPLY AFTER FINISHING.

ALL MACHINED SURFACES:  $\sqrt{63}$   
 TOTAL RUNOUT WITHIN .005.  
 BREAK SHARP EDGES .005 TO .010.  
 MACHINED FILLET RADII .005 TO .015.  
 WELDING SYMBOLS PER AWS A2.4.  
 ABBREVIATIONS PER MIL-STD-12.

UNLESS OTHERWISE SPECIFIED:  
 DIMENSIONS ARE IN INCHES.  
 DIMENSIONS IN BRACKETS [ ] ARE IN MILLIMETERS TOLERANCES ARE:

DECIMALS	METRIC	ANGLES
.XX $\pm$ .03	.X $\pm$ 0.8	$\pm$ 1°
.XXX $\pm$ .010	.XX $\pm$ 0.25	

APPROVALS: ORIG AS 01/21/22, CHK DV 03/08/22, APP AM 03/15/22

DO NOT SCALE DRAWING

THIRD ANGLE PROJECTION USA

DYTRAN INSTRUMENTS, INC. Chatsworth, CA

TITLE: **OUTLINE/INSTALLATION DRAWING, 3055 SERIES**

SIZE B	CAGE CODE 2W033	DWG NO 127-3055	REV A
SCALE: 3:1	SHEET 1 OF 1		



- HIGH TEMPERATURE
- BASE ISOLATED
- IDEAL LOW FREQUENCY RESPONSE
- HERMETICALLY SEALED

**PHYSICAL**  
 Weight  
 Connector  
 Mounting Provision  
 Material, Housing/Connector  
 Sensing Element  
 Element Style

Type  
Tapped Hole

ENGLISH		SI	
0.35	oz	10.0	grams
10-32		10-32	
10-32 X .150		10-32 X .150	
Titanium		Titanium	
Ceramic		Ceramic	
Planar Shear		Planar Shear	

**PERFORMANCE**  
 Sensitivity, ±5% [2]  
 Range for ± 5 Volts Output  
 Frequency Response, ±5%  
 Frequency Response, ±10%  
 Resonant Frequency  
 Broad Band Resolution  
 Linearity [3]  
 Maximum Transverse sensitivity  
 Strain Sensitivity @ 250µε

200	mV/g	20.41	mV/m/s <sup>2</sup>
25	g pk	245	m/s <sup>2</sup> pk
1 to 5,000	Hz	1 to 5,000	Hz
1 to 10,000	Hz	1 to 10,000	Hz
> 35	kHz	> 35	kHz
0.0040	g RMS	0.0392	m/s <sup>2</sup> RMS
± 1	% F.S.	± 1	% F.S.
5	%	5	%
0.002	g/µε	0.02	m/s <sup>2</sup> /µε

**ENVIRONMENTAL**  
 Maximum Shock  
 Temperature Range  
 Seal

1,000	g pk	9800	m/s <sup>2</sup> pk
-67 to +325	°F	-55 to +163	°C
Hermetic		Hermetic	

**ELECTRICAL**  
 Supply Current Range [4]  
 Compliance Voltage Range  
 Output Impedance, Typ  
 Bias Voltage  
 Discharge Time Constant  
 Electrical Isolation

2 to 20	mA	2 to 20	mA
+18 to +30	Volts	+18 to +30	Volts
100	Ω	100	Ω
+9 to +14	VDC	+9 to +14	VDC
0.5 to 1.5	Sec	0.5 to 1.5	Sec
10	GΩ, min	10	GΩ, min

**This family also includes:**

Model	Sensitivity (mV/g)	Frequency Response, ±10% (Hz)	Time Constant (Sec)	Operating Temp (°F)
3055F2	5	1 to 10,000	0.5 to 1.5	-67 to +325
3055F3	10	1 to 10,000	0.5 to 1.5	-67 to +325
3055F4	20	1 to 10,000	0.5 to 1.5	-67 to +325
3055F5	50	1 to 10,000	0.5 to 1.5	-67 to +325
3055F6	100	1 to 10,000	0.5 to 1.5	-67 to +325
3055F8	500	1 to 10,000	0.5 to 1.5	-67 to +325

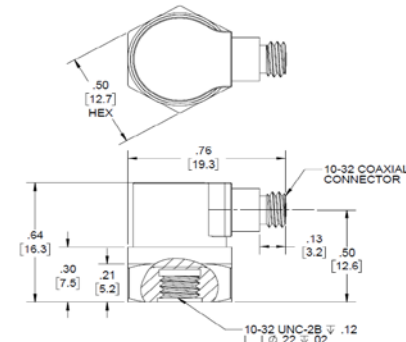
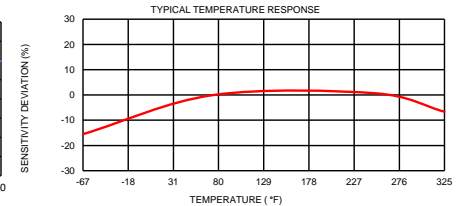
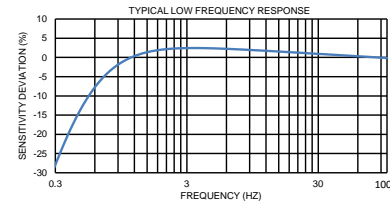
Refer to the performance specifications of the products in this family for detailed description

**Supplied Accessories:**

- 1) Accredited calibration certificate (ISO 17025)
- 2) Model 6200 Mounting Stud, QTY 1

**Notes:**

- [1] All specifications are at room temperature unless otherwise specified.
  - [2] Measured at 100 Hz
  - [3] Measure using zero-based straight line method, % of F.S. or any lesser range.
  - [4] Do not apply power to this system without current limiting, 20 mA MAX. To do so will destroy the IC charge amplifier.
  - [5] In the interest of constant product improvement, we reserve the right to change specifications without notice. □
- It is the customer's responsibility to validate that a particular product with the properties described in the product specification is suitable for use in a particular application. Parameters provided in datasheets and / or specifications may vary in different applications and performance may vary over time. All operating parameters, including typical parameters, must be validated for each customer application by the customer's technical experts.



Units on the line drawing are in inches, units in brackets are in millimeters. Refer to 127-3055 for more information.

